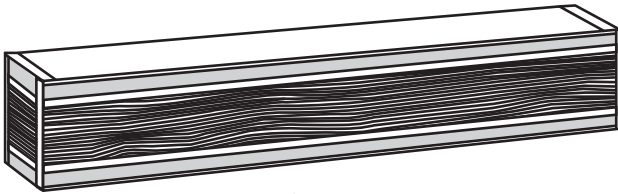


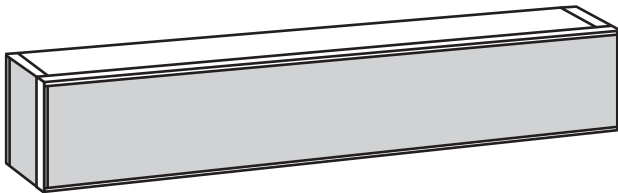
SMITH & NOBLE

Step by Step Installation Instructions

Manhattan & Loft Aluminum Cornices



Manhattan



Loft

Wall Mount

Everything You Need

A Smooth Set-Up

We want you to love your new Cornice and that includes having a smooth installation experience. If you encounter any difficulties or questions, please reach out to us for help. It's why we're here. Call us at 800.248.8888 or visit www.smithandnoble.com/knowhow for more info on installation.

We recommend you hold on to all packaging until your hardware is fully installed. Should something go wrong (we strongly doubt it), we want any potential returns to be a painless as possible.

Customer Service Hours

Monday – Friday: 6am – 7pm PT

Saturday – Sunday: 7am – 4pm PT

smithandnoble.com



Table of Contents

<i>Step 1</i> -	Getting Started (Parts & Tools)	3
<i>Overview</i> -	Cornice	4
<i>Step 2</i> -	Installing Cornice	5
	Attaching the Connector	5
<i>Step 3</i> -	Attaching Your Brackets (Outside Mount)	5
	Mounting the Cornice	5
<i>Step 3</i> -	Attaching Your Brackets (Inside Mount)	6
	Mounting the Cornice	6
	Care & Cleaning	Back Cover
	Warranty	Back Cover

Getting Started

Before you begin, check the accompanying diagram to make sure you have all the parts you need. You'll need to make sure the surface you intend to install your hardware is sturdy enough to accommodate the brackets. If you're screwing directly into a surface this means locating wood studs that are strong enough to securely bond with the included screws. Otherwise, you'll need to use a secure fastener (as illustrated) but please note this piece is not included.



WALLBOARD OR PLASTER: Hollow wall applications: Use a secure fastener designed specifically for this purpose.

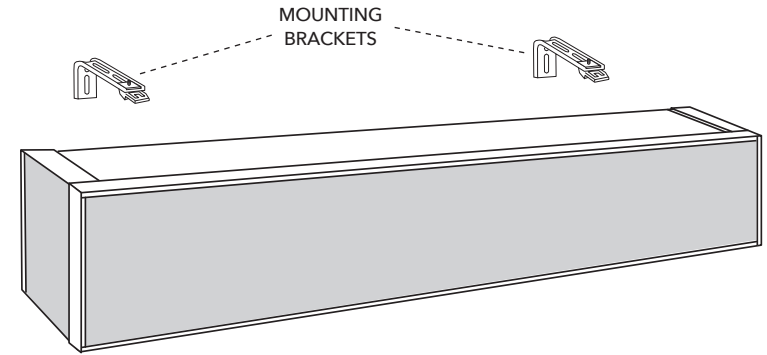
METAL: Prepare by pre-drilling holes and then using the included screws.

CONCRETE, STONE, BRICK OR TILE: Use a masonry drill and surface-specific plugs, anchors, or screws. When selecting a fastener be sure it's designed to support the weight of the product being installed (if you're not sure, either give us a call or ask a professional at your local hardware store). Once obtained, follow the fastener manufacturer's instructions regarding proper installation.

TOOLS YOU WILL NEED TO INSTALL YOUR HARDWARE: Pencil, screwdriver, 1/4" nut driver, level, and a drill with a 7/64" drill bit.

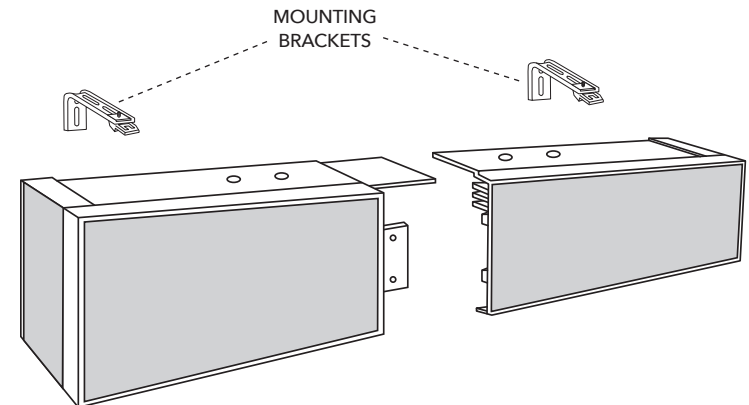
Note: It's important to monitor the amount of pressure you apply when using a drill. If the screws are too tight this may cause the screw itself to break off in the wall or window frame.

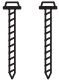
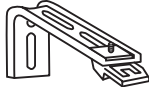
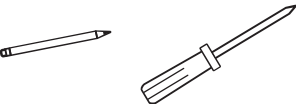
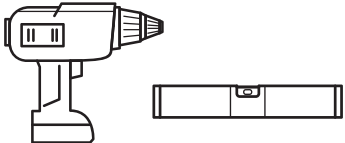
Standard Cornice



Cornice with Connector

Standard on cornices wider than 60"



 <p>SCREWS</p>	 <p>MOUNTING BRACKET</p>
 <p>PENCIL & SCREWDRIVER (NOT INCLUDED)</p>	 <p>POWER DRILL & LEVEL (NOT INCLUDED)</p>

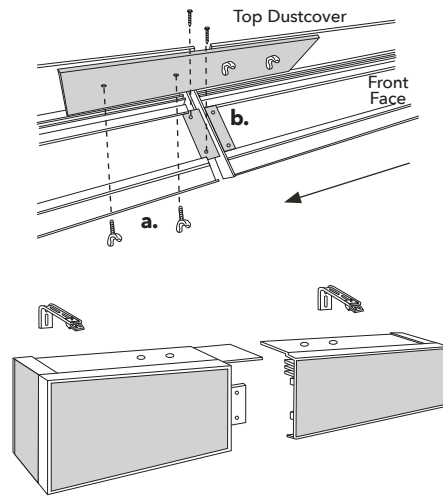
Step 2 – Installing Cornice

Attaching the Connector

Turn both sides of the cornice over onto their face and lay on a flat surface. Slide the one side of the cornice onto the other side, that has the connector attached as shown at right.

a. Align the bolt holes and join the two sides with wing nuts provided.

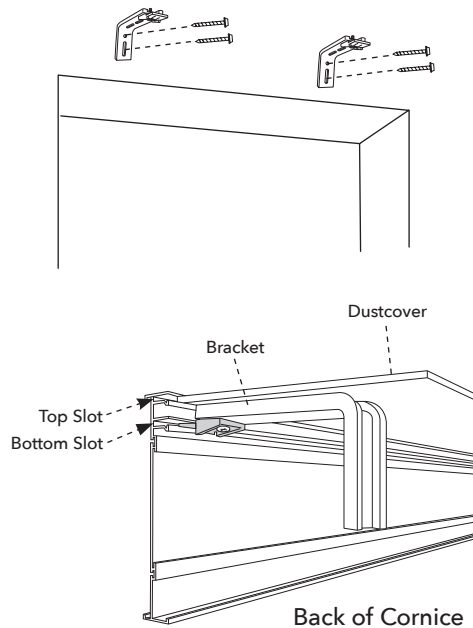
b. Align the screw holes on the metal plate and join the two sides with the small screws provided.



Step 3 – Attaching Your Brackets – Outside Mount

Attaching the Brackets

Center the cornice over the window opening. Mark the position of the ends of the cornice inside the box on the wall. Attach the mounting brackets to the wall 3" in from the marks at the desired height. Make sure the mounting brackets are level with one another.



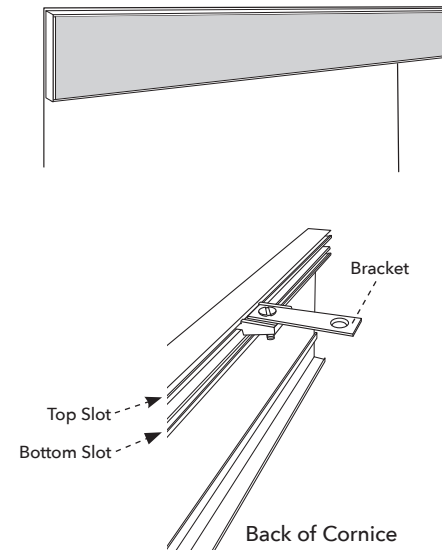
Mounting the Cornice

The cornice must be pushed against the gray or white plastic part of the brackets until it clicks. The aluminum profile has two slots. The brackets must be inserted in the bottom slot, as shown at right.

Step 3 – Attaching Your Brackets – Inside Mount

Attaching the Brackets

Push the Cornice against the gray or white plastic part of the brackets until it clicks. The aluminum profile has two slots. The brackets must be inserted in the top slot, as shown at left and should be positioned 4" in from the ends of the cornice.



Mounting the Cornice

Align the front edge of the cornice with the front edge of the window opening. Hold brackets in place and attach with the screws provided through the top holes in each mounting bracket only. Additional brackets should be spaced equally between the two end brackets.

NOTE: When operating blinds or shades under a cornice, make sure the controls for the product are not making contact with the cornice. This will cause damage to the cornice and the blind or shade.

Care & Cleaning

Care & Cleaning

Minimal care and cleaning is needed to maintain the beauty of your cornice. Occasional light vacuuming with a soft bristle attachment or gentle feather dusting is all that is required to keep your cornice looking fresh and neat.

Warranty Service

The enjoyment of your Cornice should be everlasting, which is why our products come with a limited lifetime warranty. The warranty applies to the original owner, requires a proof of purchase (hang on to your receipt!) and covers defects in material or craftsmanship. Hardware must have been properly installed. We reserve the right to determine if your hardware warrants a repair or a replacement. Visit smithandnoble.com/guarantee to see full details. In need of warranty service? Call us at **800.248.8888** and we'll arrange for a repair or replacement ASAP.