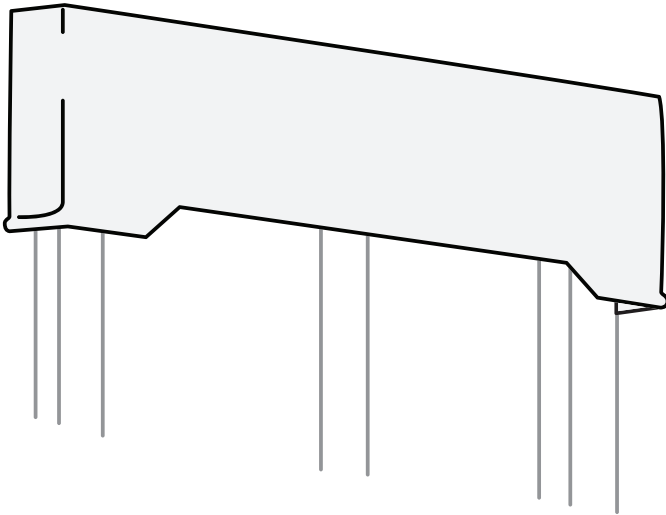


SMITH & NOBLE

Step by Step Installation Instructions

Board Mounted Cornice/Valance



Wall Mount

Everything You Need

A Smooth Set-Up

We want you to love your new Cornice/Valance and that includes having a smooth installation experience. If you encounter any difficulties or questions, please reach out to us for help. It's why we're here. Call us at 800.248.8888 or visit www.smithandnoble.com/knowhow for more info on installation.

We recommend you hold on to all packaging until your hardware is fully installed. Should something go wrong (we strongly doubt it), we want any potential returns to be a painless as possible.

Customer Service Hours

Monday – Friday: 6am – 7pm PT

Saturday – Sunday: 7am – 4pm PT

smithandnoble.com



Table of Contents

<i>Step 1</i> -	Getting Started (Parts & Tools)	3
<i>Overview</i> -	4
<i>Step 2</i> -	Attaching the Brackets	5
<i>Step 3</i> -	Mounting the Cornice/Valance	6
<i>Optional</i> -	Care & Cleaning	6
	Warranty.....	Back Cover

Getting Started

Before you begin, check the accompanying diagram to make sure you have all the parts you need. You'll need to make sure the surface you intend to install your hardware is sturdy enough to accommodate the brackets. If you're screwing directly into a surface this means locating wood studs that are strong enough to securely bond with the included screws. Otherwise, you'll need to use a secure fastener (as illustrated) but please note this piece is not included.




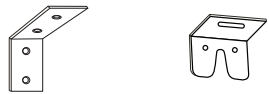
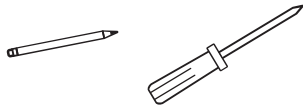
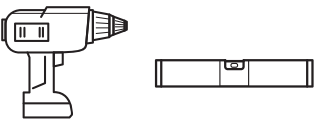
WALLBOARD OR PLASTER: Hollow wall applications: Use a secure fastener designed specifically for this purpose.

METAL: Prepare by pre-drilling holes and then using the included screws.

CONCRETE, STONE, BRICK OR TILE: Use a masonry drill and surface-specific plugs, anchors, or screws. When selecting a fastener be sure it's designed to support the weight of the product being installed (if you're not sure, either give us a call or ask a professional at your local hardware store). Once obtained, follow the fastener manufacturer's instructions regarding proper installation.

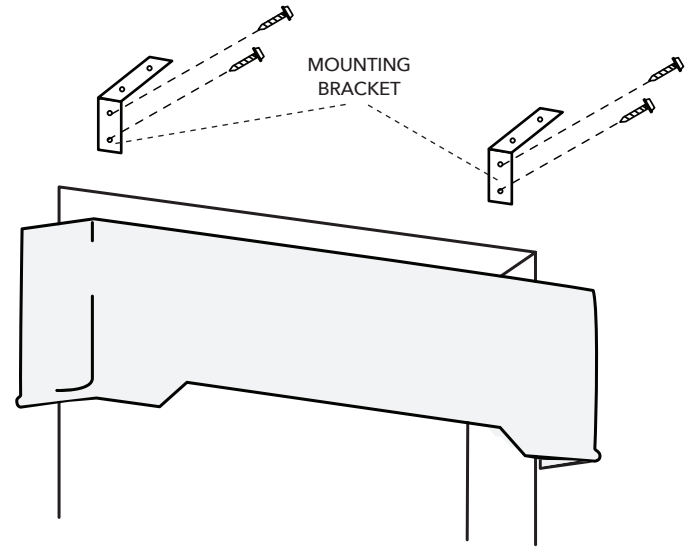
TOOLS YOU WILL NEED TO INSTALL YOUR HARDWARE: Pencil, screwdriver, 1/4" nut driver, level, and a drill with a 7/64" drill bit.

Note: It's important to monitor the amount of pressure you apply when using a drill. If the screws are too tight this may cause the screw itself to break off in the wall or window frame.

 <p>SCREWS</p>	 <p>MOUNTING BRACKETS</p> <p>DEPTH > 3" DEPTH ≤ 3"</p>
 <p>PENCIL & SCREWDRIVER (NOT INCLUDED)</p>	 <p>POWER DRILL & LEVEL (NOT INCLUDED)</p>

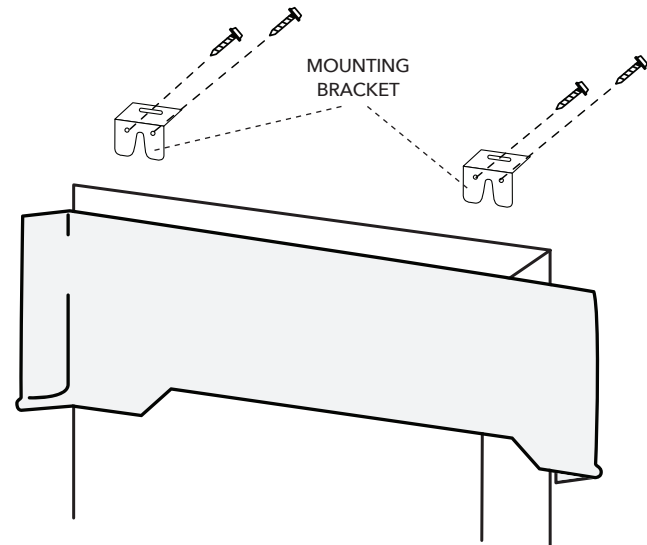
Fabric Cornice/Valance

Cornice depth over 3"



Fabric Cornice

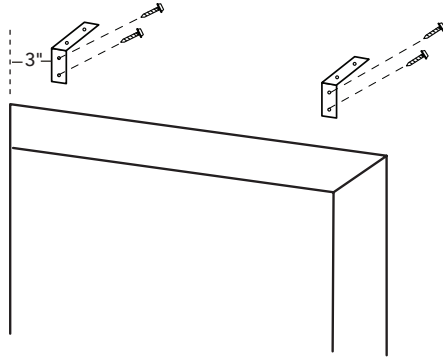
Cornice depth 3" and under



Step 2 – Attaching Your Brackets

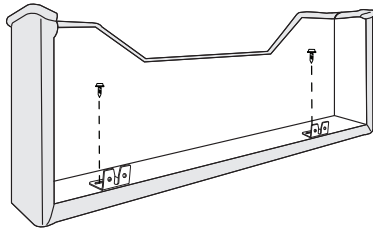
Attaching the Brackets

Center the cornice/valance over the window opening. Mark the position of the ends of the cornice/valance on the wall. Attach the mounting brackets to the wall 3" in from the marks at the desired height with screws provided. Make sure the mounting brackets are level with one another.



Attaching the Brackets (Short Bracket)

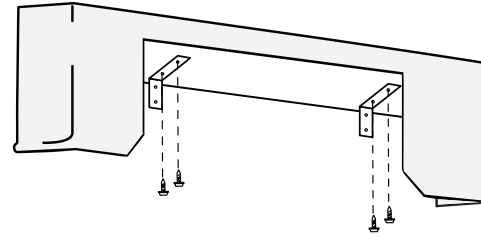
Turn the cornice/valance over onto its top and lay it on a flat surface. Attach the mounting brackets 5" in from each end and flush with the back of the dustcover top. If additional brackets are required, space them equally between the two existing brackets. Attach with the short screws provided.



Step 3 – Mounting the Cornice/Valance

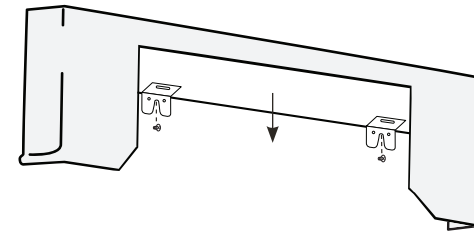
Mounting the Cornice/Valance

Set the cornice/valance on top of the brackets. Center over the window and push back against the wall. Attach the cornice/valance with the short screw provided.



Mounting the Cornice/Valance (with Short Bracket)

Position the cornice/valance on the wall at the desired height. Using a pencil, mark the center of each bracket slot. Install one of the mounting screws at one of the marked locations. Install the additional mounting screws making sure they are aligned with the first. Leave the screws projecting from the wall approximately 1/8". Slide the cornice/valance brackets down onto the screws.



Care & Cleaning

Care & Cleaning

Minimal care and cleaning is needed to maintain the beauty of your cornice. Occasional light vacuuming with a soft bristle attachment or gentle feather dusting is all that is required to keep your cornice looking fresh and neat.

Warranty Service

The enjoyment of your Cornice should be everlasting, which is why our products come with a limited lifetime warranty. The warranty applies to the original owner, requires a proof of purchase (hang on to your receipt!) and covers defects in material or craftsmanship. Hardware must have been properly installed. We reserve the right to determine if your hardware warrants a repair or a replacement. Visit smithandnoble.com/guarantee to see full details. In need of warranty service? Call us at **800.248.8888** and we'll arrange for a repair or replacement ASAP.
