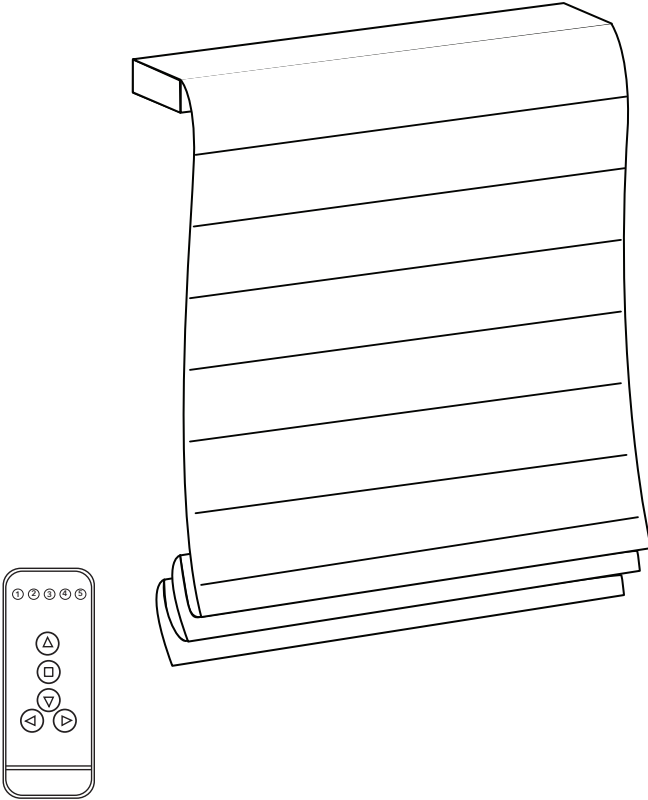


SMITH & NOBLE

Step by Step Installation Instructions

Fabric Shades



Motivia™
Motorization

Everything You Need

A Smooth Set-Up

We want you to love your new window coverings and that includes having a smooth installation experience. If you encounter any difficulties or questions, please reach out to us for help. It's why we're here. Call us at 800.248.8888 or visit www.smithandnoble.com/knowhow for more info on installation.

We recommend you hold on to all packaging until your window coverings are fully installed. Should something go wrong (we strongly doubt it), we want any potential returns to be a painless as possible.

Customer Service Hours

Monday – Friday: 6am – 7pm PT

Saturday – Sunday: 7am – 4pm PT

smithandnoble.com



Table of Contents

<i>Step 1</i> -	Getting Started	3
<i>Step 2</i> -	Mounting the Brackets.....	4
<i>Step 3</i> -	Attaching the Power Source & Battery Pack.....	5
<i>Step 4</i> -	Operating the Remote Control.....	6
	Dressing your Shade.....	6
<i>Optional</i> -	Troubleshooting.....	Back Cover
	Care & Cleaning	Back Cover
	Safety	Back Cover
	Warranty.....	Back Cover

Step 1 – Getting Started

Getting Started

Before you begin, check the accompanying diagram to make sure you have all the parts you need.

You'll need to make sure the surface you intend to install your hardware is sturdy enough to accommodate the brackets. If you're screwing directly into a surface this means locating wood studs that are strong enough to securely bond with the included screws. Otherwise, you'll need to use a secure fastener (as illustrated) but please note this piece is not included.



WALLBOARD OR PLASTER: Hollow wall applications: Use a secure fastener designed specifically for this purpose.

METAL: Prepare by pre-drilling holes and then using the included screws.

CONCRETE, STONE, BRICK OR TILE: Use a masonry drill and surface-specific plugs, anchors, or screws. When selecting a fastener be sure it's designed to support the weight of the product being installed (if you're not sure, either give us a call or ask a professional at your local hardware store). Once obtained, follow the fastener manufacturer's instructions regarding proper installation.

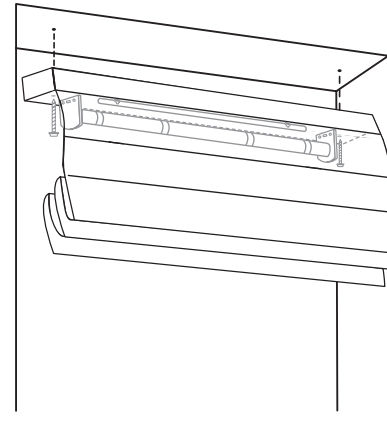
TOOLS YOU WILL NEED TO INSTALL YOUR HARDWARE: Pencil, screwdriver, 1/4" nut driver, level, and a drill with a 7/64" drill bit.

Note: It's important to monitor the amount of pressure you apply when using a drill. If the screws are too tight this may cause the screw itself to break off in the wall or window frame.

<p>SCREWS</p>	<p>OUTSIDE MOUNT BRACKET</p>
<p>PENCIL & SCREWDRIVER (NOT INCLUDED)</p>	<p>POWER DRILL, 1/4" NUT DRIVER EXTENSION & LEVEL (NOT INCLUDED)</p>

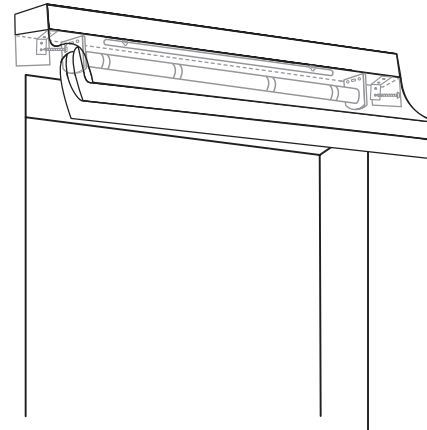
Step 2 – Mounting the Brackets

Inside Mount



Hold the shade inside the window frame so that the front edge of the shade and the front edge of the window line up. Don't forget to keep it centered. It should be a tight fit not much space to move around. With the shade positioned exactly as you'd like it, press a screw through each of the riveted holes on the headrail. The screws' tips will leave small indentations in the window frame to help you keep track. Remove the shade and use a 7/64" drill bit to pre-drill the mounting holes. Then attach the shade with the screws provided into the pre-drilled holes using the drill and 1/4" nut driver.

Outside Mount



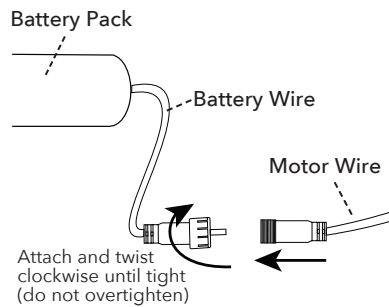
First, hold the shade above the window so that it's perfectly centered. Using a pencil, mark where the bottom of the headrail hits the window frame or wall and then place the provided brackets to window frame or wall, where they will be mounted. Mark one of the bracket holes with a pencil. (Some notes on accuracy: brackets should be level with one another, and 1/2" from the headrails edges.) Next, using the long screws provided, attach the brackets to the window frame or wall and place the headrail on top of the brackets. Then pierce the fabric and pre-drill the mounting holes using a 7/64" drill bit at each bracket location. Attach the shade to the brackets using the provided short screws.

Step 3 – Attaching the Power Source & Battery Pack

Attaching the Power Source

When attaching the Power Source to the shade, plug the battery pack wire into the motor wire.

Battery comes mounted to headrail behind take up tube.

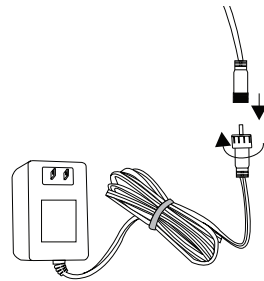


Attaching the Transformer (optional)

Plug the transformer wire into the motor wire. Secure the wire behind the shade and along the window casing as required.

Plug the transformer into an electrical outlet.

If the wire is not long enough to reach, optional 48" extension wires are available.



Step 4 – Operating the Remote Controls

Remote Control

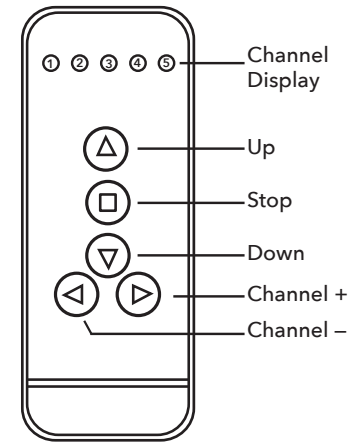
Select the desired channel with the CHANNEL key. The channel indicator light will illuminate the channel that is on. If all 5 lights are lit, the remote will control all 5 channels at once.

Tapping the UP or DOWN keys for less than 2 seconds will move the shade in short steps. Holding the UP or DOWN keys down for more than 2 seconds before releasing, will operate the shade in the faster standard speed.

Press the UP or DOWN keys to raise or lower the shade.

Press the STOP key to stop the shade anywhere along the window.

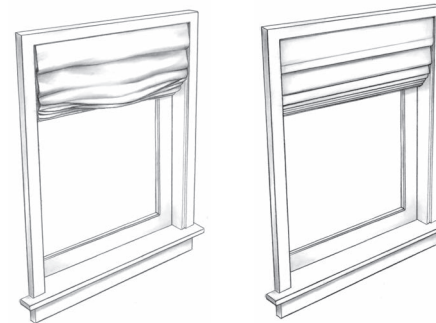
Refer to the Motorization Guide for additional details.



Dressing Your Shade

Dressing Your Shade

Once installed, you'll want your Smith & Noble shades to look as stylized as they do in our catalog; to "dress" your shade simply smooth folds as you raise the shade. Your shade will gradually develop a pleat/fold memory and minimal dressing will be needed.



Troubleshooting — (Optional)

PROBLEM	SOLUTION
The shade does not move	1. Check that the power source and motor are connected properly. 2. Confirm the batteries in battery pack are fresh.
The shade only goes in one direction (up or down)	The limit setting was unsuccessful and needs to be reset. Refer to Motorization Guide.
The indicator light on the remote does not light up or the remote-controlling range becomes shorter.	Replace the battery in the remote (CR2430 Lithium)
The shade stops working or works intermittently	Replace the batteries in the pack with 8 fresh AA alkaline batteries.

If these suggestions don't work, then please give us a call or visit our website.

Care & Cleaning/Safety

Care & Cleaning

Occasional light vacuuming with a soft bristle attachment or gentle feather dusting is all that is required to keep your shades looking fresh and neat.

Safety First. Style Second To None™.

Great style should never come at the cost of safety. Every Smith & Noble window treatment conforms strictly to today's safety standards, including permanent tie-down devices and built-in cord stops. To protect young children and pets, there's no better way to eliminate risk than to use one of our Motivia™ motorized products.



Child Safety

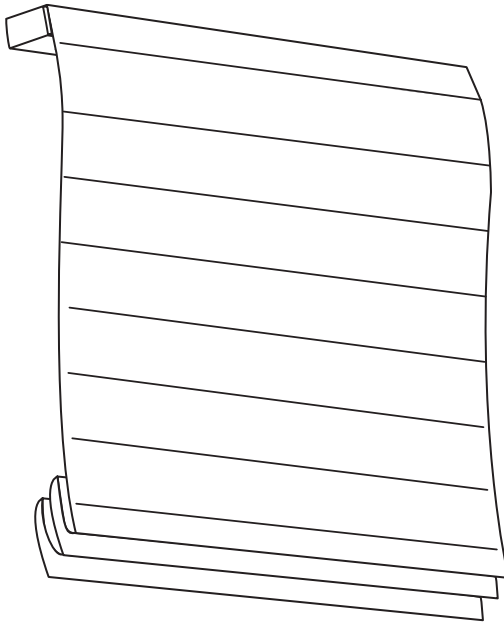
Warranty Service

The enjoyment of your window covering should be everlasting, which is why our products come with a limited lifetime warranty. The warranty applies to the original owner, requires a proof of purchase (hang on to your receipt!) and covers defects in material or craftsmanship. Hardware must have been properly installed. We reserve the right to determine if your hardware warrants a repair or a replacement. Visit smithandnoble.com/guarantee to see full details. In need of warranty service? Call us at 800.248.8888 and we'll arrange for a repair or replacement ASAP.

SMITH & NOBLE

Step by Step Installation Instructions

Fabric Shades



Cordless Control

Everything You Need

A Smooth Set-Up

We want you to love your new window coverings and that includes having a smooth installation experience. If you encounter any difficulties or questions, please reach out to us for help. It's why we're here. Call us at 800.248.8888 or visit www.smithandnoble.com/knowhow for more info on installation.

We recommend you hold on to all packaging until your window coverings are fully installed. Should something go wrong (we strongly doubt it), we want any potential returns to be a painless as possible.

Customer Service Hours

Monday – Friday: 6am – 7pm PT

Saturday – Sunday: 7am – 4pm PT

smithandnoble.com



Table of Contents

<i>Step 1</i> -	Getting Started	3
<i>Step 2</i> -	Mounting the Brackets.....	4
<i>Step 3</i> -	Operating your Shade	5
	Dressing Your Shade	5
<i>Optional</i> -	Troubleshooting.....	6
	Care & Cleaning	Back
	Safety	Back
	Warranty.....	Back

Step 1 – Getting Started

Getting Started

Before you begin, check the accompanying diagram to make sure you have all the parts you need.

You'll need to make sure the surface you intend to install your hardware is sturdy enough to accommodate the brackets. If you're screwing directly into a surface this means locating wood studs that are strong enough to securely bond with the included screws. Otherwise, you'll need to use a secure fastener (as illustrated) but please note this piece is not included.



WALLBOARD OR PLASTER: Hollow wall applications: Use a secure fastener designed specifically for this purpose.

METAL: Prepare by pre-drilling holes and then using the included screws.

CONCRETE, STONE, BRICK OR TILE: Use a masonry drill and surface-specific plugs, anchors, or screws. When selecting a fastener be sure it's designed to support the weight of the product being installed (if you're not sure, either give us a call or ask a professional at your local hardware store). Once obtained, follow the fastener manufacturer's instructions regarding proper installation.

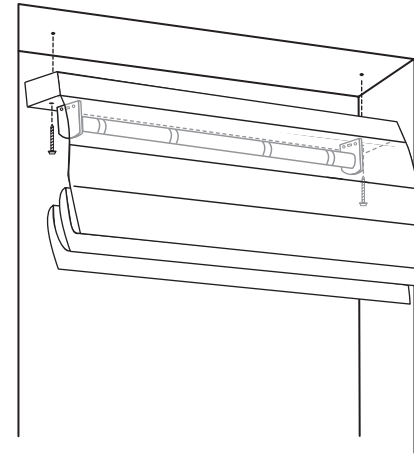
TOOLS YOU WILL NEED TO INSTALL YOUR HARDWARE: Pencil, screwdriver, 1/4" nut driver, level, and a drill with a 7/64" drill bit.

Note: It's important to monitor the amount of pressure you apply when using a drill. If the screws are too tight this may cause the screw itself to break off in the wall or window frame.

<p>SCREWS</p>	<p>OUTSIDE MOUNT BRACKET</p>
<p>PENCIL & SCREWDRIVER (NOT INCLUDED)</p>	<p>POWER DRILL, 1/4" NUT DRIVER EXTENSION & LEVEL (NOT INCLUDED)</p>

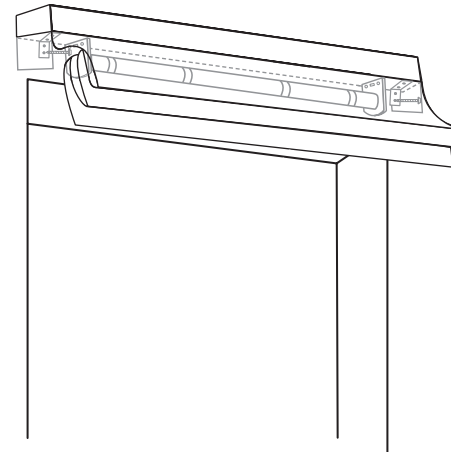
Step 2 – Mounting the Brackets

Inside Mount



Hold the shade inside the window frame so that the front edge of the shade and the front edge of the window line up. Don't forget to keep it centered. It should be a tight fit not much space to move around. With the shade positioned exactly as you'd like it, press a screw through each of the riveted holes on the headrail. The screws' tips will leave small indentations in the window frame to help you keep track. Remove the shade and use a 7/64" drill bit to pre-drill the mounting holes. Then attach the shade with the screws provided into the pre-drilled holes using the drill and 1/4" nut driver.

Outside Mount



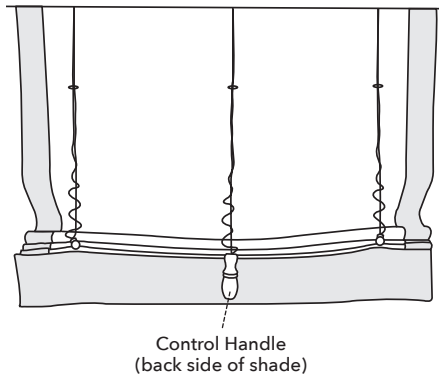
First, hold the shade above the window so that it's perfectly centered. Using a pencil, mark where the bottom of the headrail hits the window frame or wall and then place the provided brackets to window frame or wall, where they will be mounted. Mark one of the bracket holes with a pencil. (Some notes on accuracy: brackets should be level with one another, and 1/2" from the headrails edges.) Next, using the long screws provided, attach the brackets to the window frame or wall and place the headrail on top of the brackets. Then pierce the fabric and pre-drill the mounting holes using a 7/64" drill bit at each bracket location. Attach the shade to the brackets using the provided short screws.

Operating Your Shade

Opening and closing your new Smith & Noble shades is entirely hassle-free. Always use the control handle on the back to operate your shade.

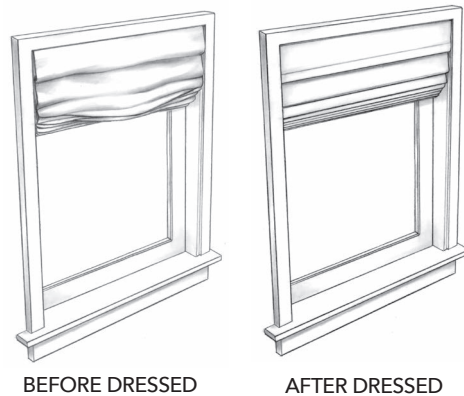
Just like a spring roller shade, a simple quick tug will get it started.

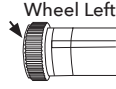
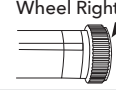
Never pull on the hem to operate your shade.



Dressing Your Shade

Once installed, you'll want your Smith & Noble shades to look as stylized as they do in our catalog; to "dress" your shade simply smooth folds as you raise the shade. Your shade will gradually develop a pleat/fold memory and minimal dressing will be needed.



PROBLEM	SOLUTION
The shade will not raise or lower	Make sure the mounting brackets are not interfering with the mechanism on the headrail.
Only one side of the shade moves when raised or lowered	Make sure the lift cords on back of shade are properly attached.
Shade hangs uneven	Adjust cord levelers on back of shade by simply pushing in on the bottom to release cord. Slowly move up/down to adjust shade level, allows for a height adjustment up to 1/2" in either direction.
To release if locked in the down position	 <p>If the <u>adjustment wheel</u> is on the LEFT, turn it 1/4" of a turn toward you.</p>  <p>If the <u>adjustment wheel</u> is on the RIGHT, turn it 1/4" of a turn away from you.</p>
Adjusting Tension on shade to make it go up faster or slower with the white <u>adjustment wheel</u> at the end of the drive tube. If your <u>adjustment wheel</u> is on the LEFT side of your shade follow these directions:	<ol style="list-style-type: none"> 1. Raise the shade fully to the top. 2. Grasp the tube with your right hand making sure it does not rotate. 3. Turn the white ribbed wheel toward you one full rotation will INCREASE TENSION. Turn the white ribbed wheel away from you one full rotation will DECREASE TENSION. 4. Test the shade. Repeat if necessary.
Adjusting Tension on shade to make it go up faster or slower with the white <u>adjustment wheel</u> at the end of the drive tube. If your <u>adjustment wheel</u> is on the RIGHT side of your shade follow these directions:	<ol style="list-style-type: none"> 1. Raise the shade fully to the top. 2. Grasp the tube with your left hand making sure it does not rotate. 3. Turn the white ribbed wheel away from you one full rotation will INCREASE TENSION. Turn the white ribbed wheel toward you one full rotation will DECREASE TENSION. 4. Test the shade. Repeat if necessary.

If these suggestions don't work, then please give us a call or visit our website.

Care & Cleaning/Safety

Care & Cleaning

Occasional light vacuuming with a soft bristle attachment or gentle feather dusting is all that is required to keep your shades looking fresh and neat.

Safety First. Style Second To None™.

Great style should never come at the cost of safety. Every Smith & Noble window treatment conforms strictly to today's safety standards, including permanent tie-down devices and built-in cord stops. To protect young children and pets, there's no better way to eliminate risk than to use one of our cordless products.



Child Safety

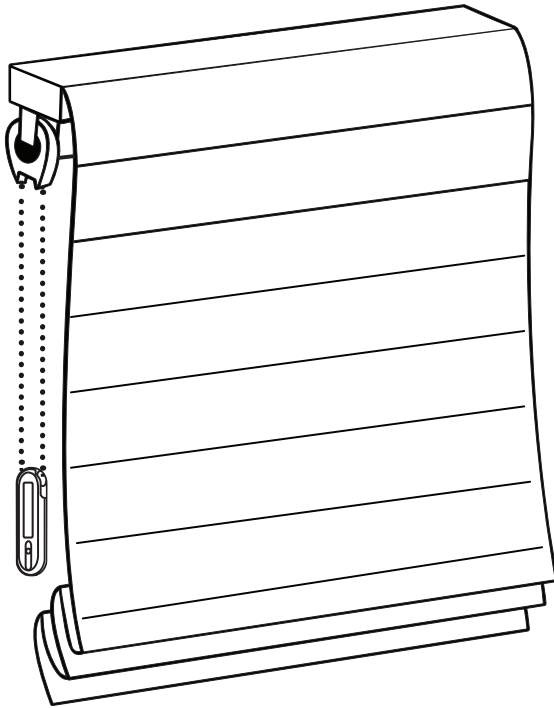
Warranty Service

The enjoyment of your window covering should be everlasting, which is why our products come with a limited lifetime warranty. The warranty applies to the original owner, requires a proof of purchase (hang on to your receipt!) and covers defects in material or craftsmanship. Hardware must have been properly installed. We reserve the right to determine if your hardware warrants a repair or a replacement. Visit smithandnoble.com/guarantee to see full details. In need of warranty service? Call us at **800.248.8888** and we'll arrange for a repair or replacement ASAP.

SMITH & NOBLE

Step by Step Installation Instructions

Fabric Shades



Loop Control

Everything You Need

A Smooth Set-Up

We want you to love your new window coverings and that includes having a smooth installation experience. If you encounter any difficulties or questions, please reach out to us for help. It's why we're here. Call us at 800.248.8888 or visit www.smithandnoble.com/knowhow for more info on installation.

We recommend you hold on to all packaging until your window coverings are fully installed. Should something go wrong (we strongly doubt it), we want any potential returns to be a painless as possible.

Customer Service Hours

Monday – Friday: 6am – 7pm PT

Saturday – Sunday: 7am – 4pm PT

smithandnoble.com



Table of Contents

<i>Step 1</i> -	Getting Started	3
<i>Step 2</i> -	Mounting the Brackets.....	4
<i>Step 3</i> -	Attaching the Loop Control	5
<i>Step 4</i> -	Operating & Dressing Your Shade.....	5-6
<i>Optional</i> -	Troubleshooting.....	6
	Care & Cleaning	Back
	Safety	Back
	Warranty.....	Back

Step 1 – Getting Started

Getting Started

Before you begin, check the accompanying diagram to make sure you have all the parts you need.

You'll need to make sure the surface you intend to install your hardware is sturdy enough to accommodate the brackets. If you're screwing directly into a surface this means locating wood studs that are strong enough to securely bond with the included screws. Otherwise, you'll need to use a secure fastener (as illustrated) but please note this piece is not included.



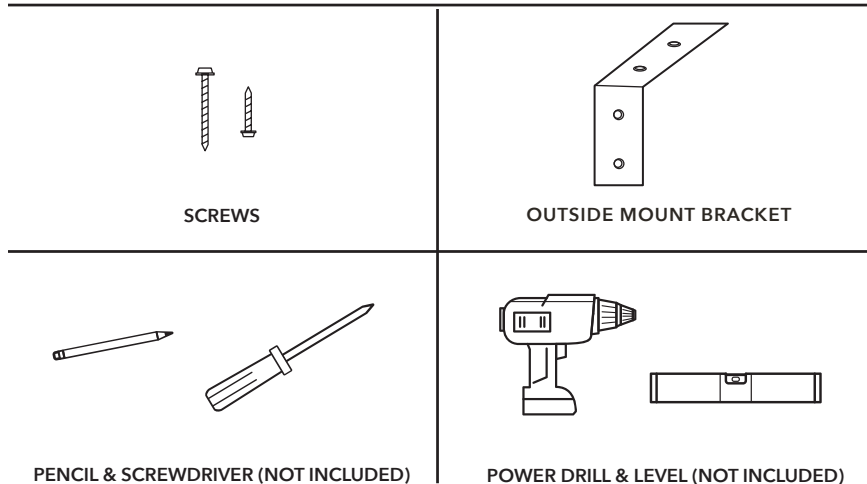
WALLBOARD OR PLASTER: Hollow wall applications: Use a secure fastener designed specifically for this purpose.

METAL: Prepare by pre-drilling holes and then using the included screws.

CONCRETE, STONE, BRICK OR TILE: Use a masonry drill and surface-specific plugs, anchors, or screws. When selecting a fastener be sure it's designed to support the weight of the product being installed (if you're not sure, either give us a call or ask a professional at your local hardware store). Once obtained, follow the fastener manufacturer's instructions regarding proper installation.

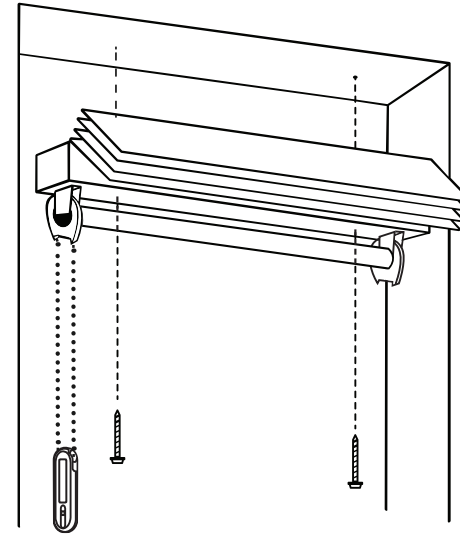
TOOLS YOU WILL NEED TO INSTALL YOUR HARDWARE: Pencil, screwdriver, 1/4" nut driver, level, and a drill with a 7/64" drill bit.

Note: It's important to monitor the amount of pressure you apply when using a drill. If the screws are too tight this may cause the screw itself to break off in the wall or window frame.



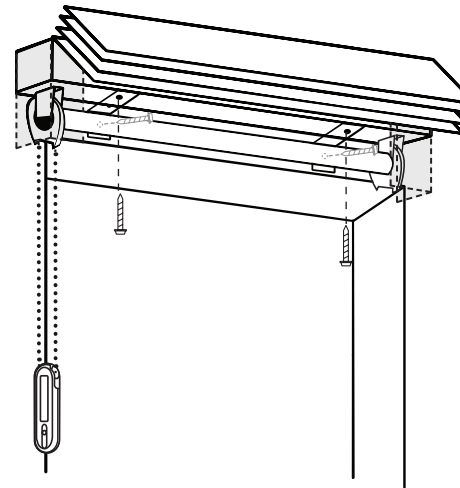
Step 2 – Mounting the Brackets

Inside Mount



Hold the shade inside the window frame so that the front edge of the shade and the front edge of the window line up. Don't forget to keep it centered, should be a tight fit not much space to move around. With the shade positioned exactly as you'd like it, press a screw through each of the riveted holes on the headrail. The screws' tips will leave small indentations in the window frame to help you keep track. Remove the shade and use a 7/64" drill bit to pre-drill the mounting holes. Then attach the shade with the screws provided into the pre-drilled holes using the drill and the 1/4" nut driver.

Outside Mount



Center the blind over the window opening at the desired height. Mark the position where the brackets are to be placed making sure the bracket won't interfere with the operating mechanism loop. Place the mounting brackets on the wall over the marks making sure the mounting brackets are level with one another. Secure with two long screws in each bracket making sure the screws hit a solid object otherwise use secure fastener. Set headrail on top of brackets and center shade, push back against wall/window. Pierce fabric, pre-drill mounting holes and attach shade to brackets using short screws - use front hole only.

BRACKET QTY	SHADE WIDTH
2	up to 36"
3	36 1/8" - 72"
4	72 1/8" - 96"
5	96 1/8" - 120"

Larger shades may require additional brackets. If this is the case, space the additional brackets equally along the top of the window opening and align with the end brackets.

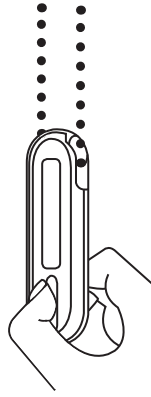
Step 3 – Attaching the Loop Control

Cord Tensioner Installation

Your window shade has arrived with the cord tensioner positioned near the head rail to comply with current child safety standards. The cord tensioner must be mounted and secured before the window shade will operate correctly.

The tension device reduces the hazards of strangulation and entanglement of young children by limiting access to the control cord.

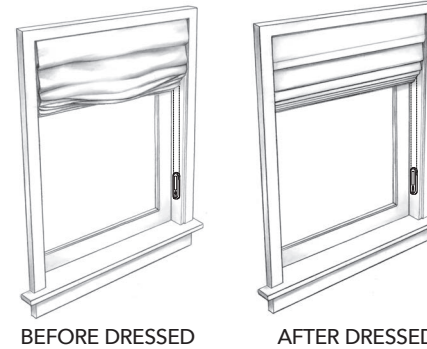
Please read the instructions included in the mounting hardware packet prior to installation.



Step 4 – Operating & Dressing Your Shade

Dressing Your Shade

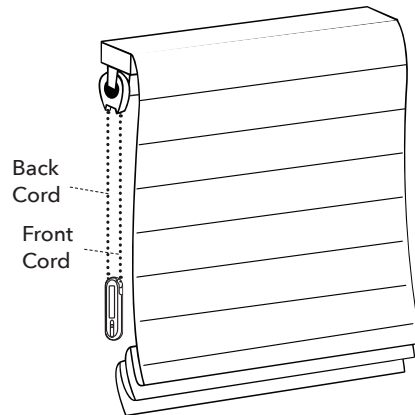
Once installed, you'll want your Smith & Noble shades to look as stylized as they do in our catalog; to "dress" your shade simply smooth folds as you raise the shade. Your shade will gradually develop a pleat/fold memory and minimal dressing will be needed.



Step 4 – Operating & Dressing Your Shade

Operating Your Shade

Opening and closing your new Smith & Noble shades is entirely hassle-free. To lower shade, pull the front cord down. To raise shade, pull the back cord down until it's at your desired height then release.



Optional - Troubleshooting

PROBLEM	SOLUTION
The shade will not raise or lower	Make sure the lift cords aren't caught under mounting brackets or screws. If they are, then simply remove them. Make sure cord tensioner is attached to bracket or wall.
Only one side of the shade moves when draw cords are pulled	The shade may be caught on an obstruction such as a window crank or latch; if this is the case feel free to untangle.
Lift cord came out of cord leveler	Simply re-thread cord.
Shade hangs uneven	Adjust cord levelers on back of shade by simply pushing in on the bottom to release cord. Slowly move up/down to adjust shade level, allows for a height adjustment up to 1/2" in either direction.

If these suggestions don't work, then please give us a call or visit our website.

Care & Cleaning/Safety

Care & Cleaning

Occasional light vacuuming with a soft bristle attachment or gentle feather dusting is all that is required to keep your shades looking fresh and neat.

Safety First. Style Second To None™.

Great style should never come at the cost of safety. Every Smith & Noble window treatment conforms strictly to today's safety standards, including permanent tie-down devices and built-in cord stops. To protect young children and pets, Loop Control works with a cord tensioner, which must be mounted to your window frame or wall. The shade or blind will not work if the cord tensioner is not mounted.



Child Safety

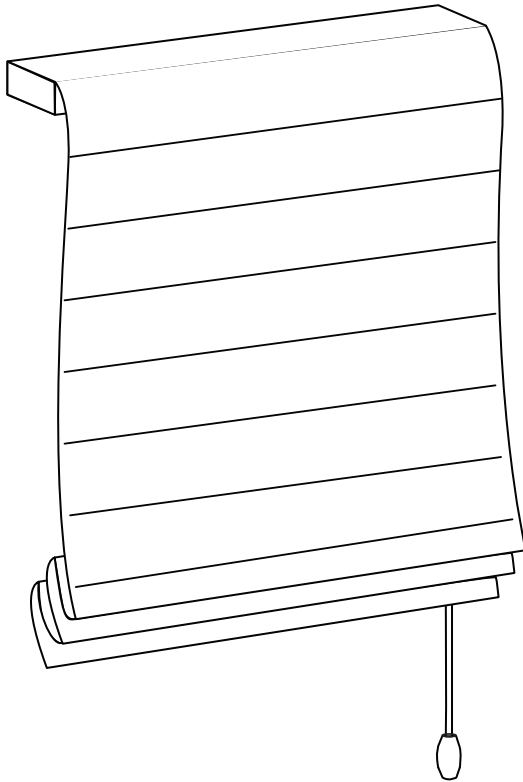
Warranty Service

The enjoyment of your window covering should be everlasting, which is why our products come with a limited lifetime warranty. The warranty applies to the original owner, requires a proof of purchase (hang on to your receipt!) and covers defects in material or craftsmanship. Hardware must have been properly installed. We reserve the right to determine if your hardware warrants a repair or a replacement. Visit smithandnoble.com/guarantee to see full details. In need of warranty service? Call us at 800.248.8888 and we'll arrange for a repair or replacement ASAP.

SMITH & NOBLE

Step by Step Installation Instructions

Fabric Shades



Standard, Slim Headrail
and Top Down/Bottom Up

Everything You Need

A Smooth Set-Up

We want you to love your new window coverings and that includes having a smooth installation experience. If you encounter any difficulties or questions, please reach out to us for help. It's why we're here. Call us at 800.248.8888 or visit www.smithandnoble.com/knowhow for more info on installation.

We recommend you hold on to all packaging until your window coverings are fully installed. Should something go wrong (we strongly doubt it), we want any potential returns to be a painless as possible.

Customer Service Hours

Monday – Friday: 6am – 7pm PT

Saturday – Sunday: 7am – 4pm PT

smithandnoble.com



Table of Contents

<i>Step 1</i> - Getting Started	3
<i>Overview</i> - Standard, Slim Headrail & Top Down /Bottom Up ...	4
<i>Step 2</i> - Mounting the Brackets.....	5 - 6
<i>Step 3</i> - Operating & Dressing Your Shade.....	7 - 8
<i>Step 4</i> - Attaching the Cord Cleat.....	8
<i>Optional</i> - Troubleshooting.....	9
Care & Cleaning	10
Safety	10
Warranty.....	Back

Getting Started

Before you begin, check the accompanying diagram to make sure you have all the parts you need. You'll need to make sure the surface you intend to install your hardware is sturdy enough to accommodate the brackets. If you're screwing directly into a surface this means locating wood studs that are strong enough to securely bond with the included screws. Otherwise, you'll need to use a secure fastener (as illustrated) but please note this piece is not included.



WALLBOARD OR PLASTER: Hollow wall applications: Use a secure fastener designed specifically for this purpose.

METAL: Prepare by pre-drilling holes and then using the included screws.

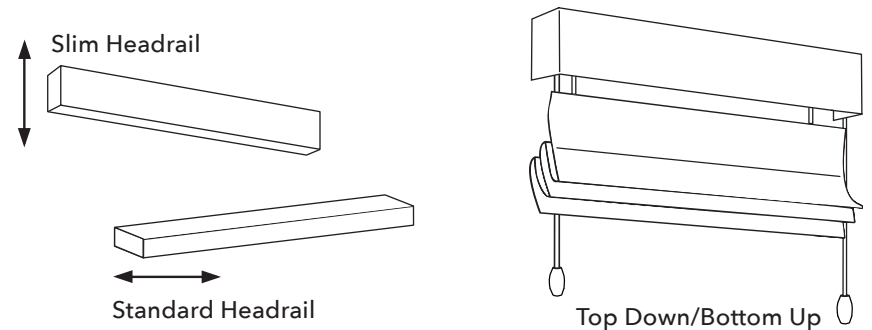
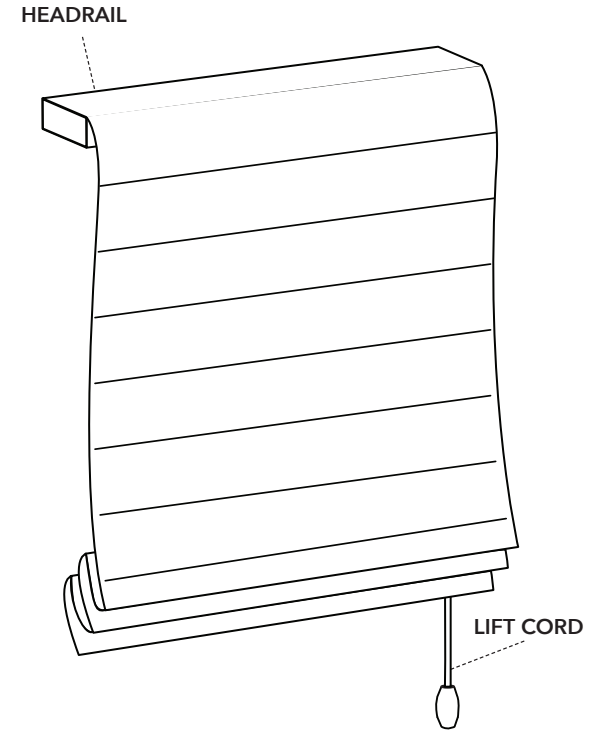
CONCRETE, STONE, BRICK OR TILE: Use a masonry drill and surface-specific plugs, anchors, or screws. When selecting a fastener be sure it's designed to support the weight of the product being installed (if you're not sure, either give us a call or ask a professional at your local hardware store). Once obtained, follow the fastener manufacturer's instructions regarding proper installation.

TOOLS YOU WILL NEED TO INSTALL YOUR HARDWARE: Pencil, screwdriver, 1/4" nut driver, level, and a drill with a 7/64" drill bit.

Note: It's important to monitor the amount of pressure you apply when using a drill. If the screws are too tight this may cause the screw itself to break off in the wall or window frame.

<p>SCREWS</p>	<p>OUTSIDE MOUNT BRACKET OUTSIDE MOUNT EXTENSION BRACKET</p>
<p>PENCIL & SCREWDRIVER (NOT INCLUDED)</p>	<p>POWER DRILL & LEVEL (NOT INCLUDED)</p>

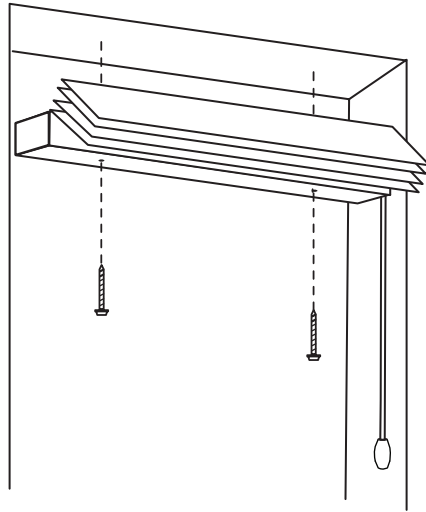
Standard & Slim Headrail



BRACKET QTY	SHADE WIDTH
2	up to 36"
3	36 1/8"–72"
4	72 1/8"–96"
5	96 1/8"–120"

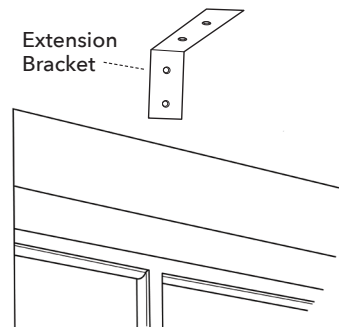
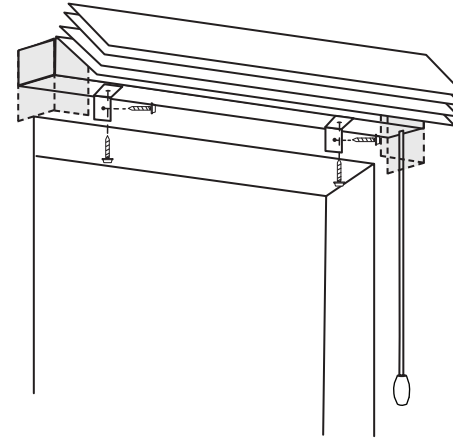
Inside Mount

Hold the shade inside the window frame so that the front edge of the shade and the front edge of the window line up. Don't forget to keep it centered. It should be a tight fit not much space to move around. With the shade positioned exactly as you'd like it, press a screw through each of the riveted holes on the headrail. The screws' tips will leave small indentations in the window frame to help you keep track. Remove the shade and use a $\frac{7}{64}$ " drill bit to pre-drill the mounting holes. Then attach the shade with the screws provided into the pre-drilled holes using the drill and $\frac{1}{4}$ " nut driver.



Outside Mount

First, hold the shade above the window so that it's perfectly centered. Using a pencil, mark where the bottom of the headrail hits the window frame or wall and then place the provided brackets to window frame or wall, where they will be mounted. Mark one of the bracket holes with a pencil. (Some notes on accuracy: brackets should be evenly spaced, level with one another, and not too close to the headrail's edges and operating mechanism.) Next, using the long screws provided, attach the brackets to the window frame or wall and place the headrail on top of the brackets. Then pierce the fabric and pre-drill the mounting holes using a $\frac{3}{64}$ " drill bit at each bracket location. Attach the shade to the brackets using the provided short screws.



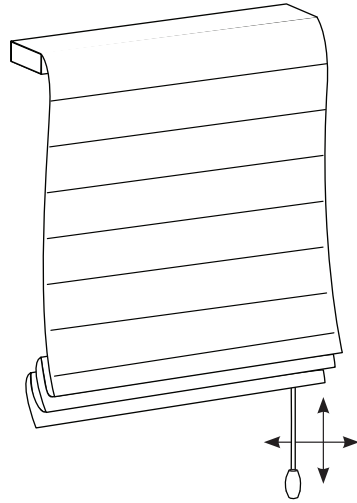
Extension Bracket (optional)

Optional Extension Brackets are used to project the back of the shading up to $2\frac{1}{2}$ " from the mounting surface to clear any obstructions.

Step 3 – Operating & Dressing Your Shade

Operating Your Shade

Opening and closing your new Smith & Noble shades is entirely hassle-free. To lower it, reach behind your shade and pull cord down and toward the center of the shade. To lock it into position, move the cord past the outside edge and then release. To raise it, pull straight down on the cord until it's at your desired height then move cord past outside edge to lock. And remember to always keep the excess cord wrapped around the cord cleat (that's what you attach to the wall next to your shades).

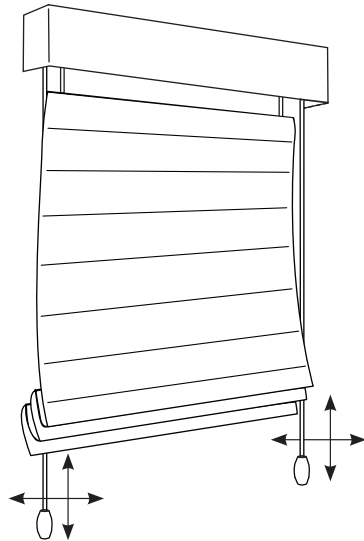


Top Down/Bottom Up

(not available with all styles and sizes)

First, lower the bottom rail of the shade to the window sill by releasing the cord on the left side of the shade. Then, using the cord on the right side of the shade, lower the center rail to the desired position. To lock it into position, move the cord past the outside edge and then release.

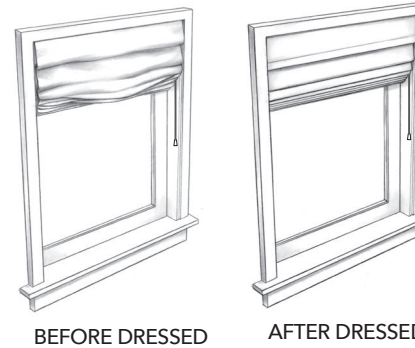
To raise the shade, pull the right cord down until the center rail of the shade meets the headrail. Pull down on the left cord and lift the bottom rail to the desired position. To lock it into position, move the cord past the outside edge and then release.



Step 3 – Operating & Dressing Your Shade

Dressing Your Shade

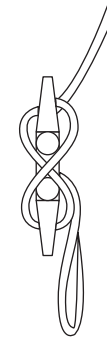
Once installed, you'll want your Smith & Noble shades to look as stylized as they do in our catalog; to "dress" your shade simply smooth folds as you raise the shade. Your shade will gradually develop a pleat/fold memory and minimal dressing will be needed.



Step 4 – Attaching the Cord Cleat

Attaching the Cord Cleat

Cord cleats are wall attachments that help keep your cords organized and away from pets and kids. To install one, first lower your shade completely and hold the cord straight down while positioning the cord cleat onto the window frame or wall. Holding the cleat upright, insert and secure two screws into the cleat to securely attach it to the wall or window frame. You will need one cleat for standard lift and two cleats for Top Down/Bottom Up.



PROBLEM	SOLUTION
The shade will not raise or lower	Make sure the lift cords aren't caught under mounting brackets or screws. If they are, simply remove them.
Only one side of the shade moves when draw cords are pulled	The shade may be caught on an obstruction such as a window crank or latch; if this is the case feel free to untangle. If one of the lift cords has come untied, simply re-tie the cord.
Lift cord came out of cord leveler	Simply re-thread cord.
Shade hangs uneven	Adjust cord levelers on back of shade by simply pushing in on the bottom to release cord. Slowly move up/down to adjust shade level, allows for a height adjustment up to 1/2" in either direction.

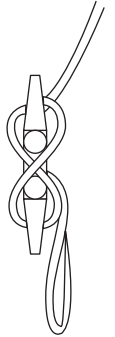
If these suggestions don't work, then please give us a call or visit our website.

Care & Cleaning

Occasional light vacuuming with a soft bristle attachment or gentle feather dusting is all that is required to keep your shades looking fresh and neat.

Safety First. Style Second To None™.

Great style should never come at the cost of safety. Every Smith & Noble window treatment conforms strictly to today's safety standards, including permanent tie-down devices and built-in cord stops. To protect young children and pets, excess cords should be wrapped securely around a cord cleat, as shown at right, to prevent possible injury. To obtain an additional cord cleat, call Smith+Noble Customer Service at 800.780.8889.



Warranty Service

The enjoyment of your window covering should be everlasting, which is why our products come with a limited lifetime warranty. The warranty applies to the original owner, requires a proof of purchase (hang on to your receipt!) and covers defects in material or craftsmanship. Hardware must have been properly installed. We reserve the right to determine if your hardware warrants a repair or a replacement. Visit smithandnoble.com/guarantee to see full details. In need of warranty service? Call us at **800.248.8888** and we'll arrange for a repair or replacement ASAP.
