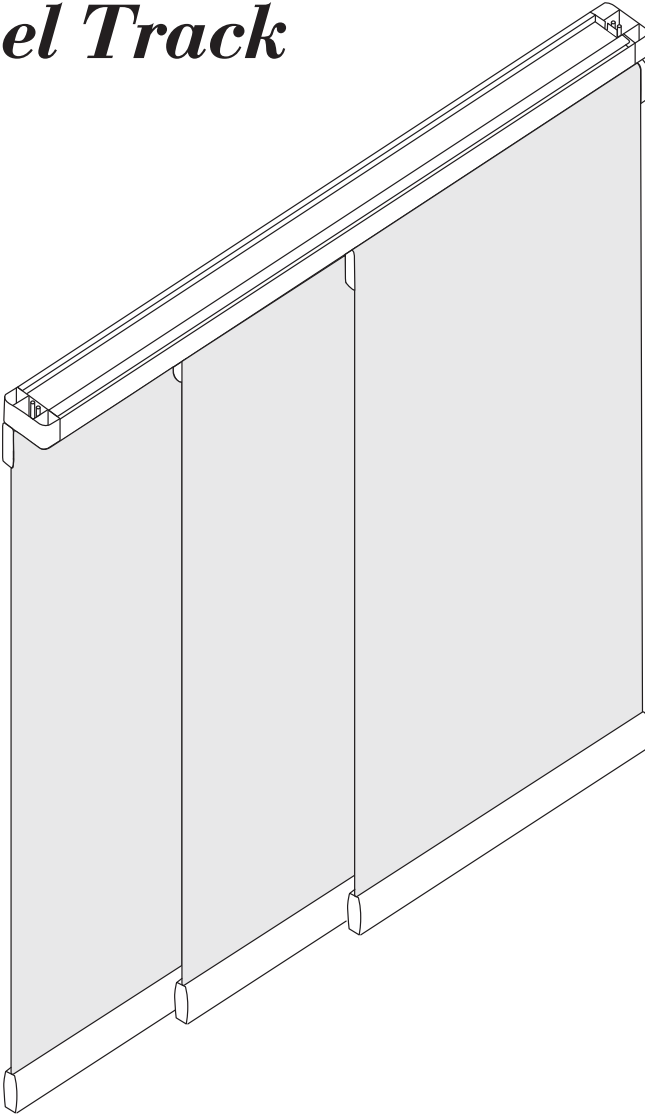


# SMITH & NOBLE

---

STEP BY STEP INSTALLATION INSTRUCTIONS

## *Panel Track*



---

# Everything You Need

## A Smooth Set-Up

We want you to love your new window coverings and that includes having a smooth installation experience. If you encounter any difficulties or questions, please reach out to us for help. It's why we're here. Call us at 800.248.8888 or visit [www.smithandnoble.com/knowhow](http://www.smithandnoble.com/knowhow) for more info on installation.

We recommend you hold on to all packaging until your window coverings are fully installed. Should something go wrong (we strongly doubt it), we want any potential returns to be as painless as possible.

---

### Customer Service Hours

Monday – Friday: 6am – 7pm PT

Saturday – Sunday: 7am – 4pm PT

[smithandnoble.com](http://smithandnoble.com)



---

## Table of Contents

<i>Step 1 -</i>	Getting Started . . . . .	3
<i>Overview -</i>	Panel Track Shade . . . . .	4
<i>Step 2 -</i>	Bracket Installation . . . . .	5
<i>Step 3 -</i>	Mounting the Brackets . . . . .	5 - 6
<i>Step 4 -</i>	Track Installation . . . . .	7
<i>Step 5 -</i>	Panel Installation . . . . .	8
<i>Step 6 -</i>	Operating the Shade . . . . .	9
<i>Step 7 -</i>	Removing the Shade . . . . .	9
<i>Optional -</i>	Attaching the Wand . . . . .	9
	Cord Tension Device . . . . .	10
	Care & Cleaning . . . . .	Back Cover
	Safety . . . . .	Back Cover
	Warranty . . . . .	Back Cover

# Step 1 – Getting Started

## Parts and Tools

Before you begin, check the accompanying diagram to make sure you have all the parts you need. You'll need to make sure the surface you intend to install your hardware is sturdy enough to accommodate the brackets. If you're screwing directly into a surface this means locating wood studs that are strong enough to securely bond with the included screws. Otherwise, you'll need to use a secure fastener (as illustrated) but please note this piece is not included.



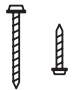
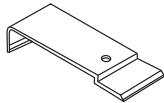
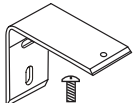
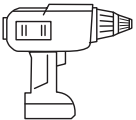
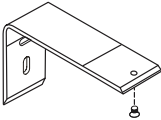
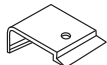


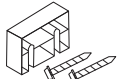
**WALLBOARD OR PLASTER:** Hollow wall applications: Use a secure fastener designed specifically for this purpose.

**METAL:** Prepare by pre-drilling holes and then using the included screws.

**CONCRETE, STONE, BRICK OR TILE:** Use a masonry drill and surface-specific plugs, anchors, or screws. When selecting a fastener be sure it's designed to support the weight of the product being installed (if you're not sure, either give us a call or ask a professional at your local hardware store). Once obtained, follow the fastener manufacturer's instructions regarding proper installation.

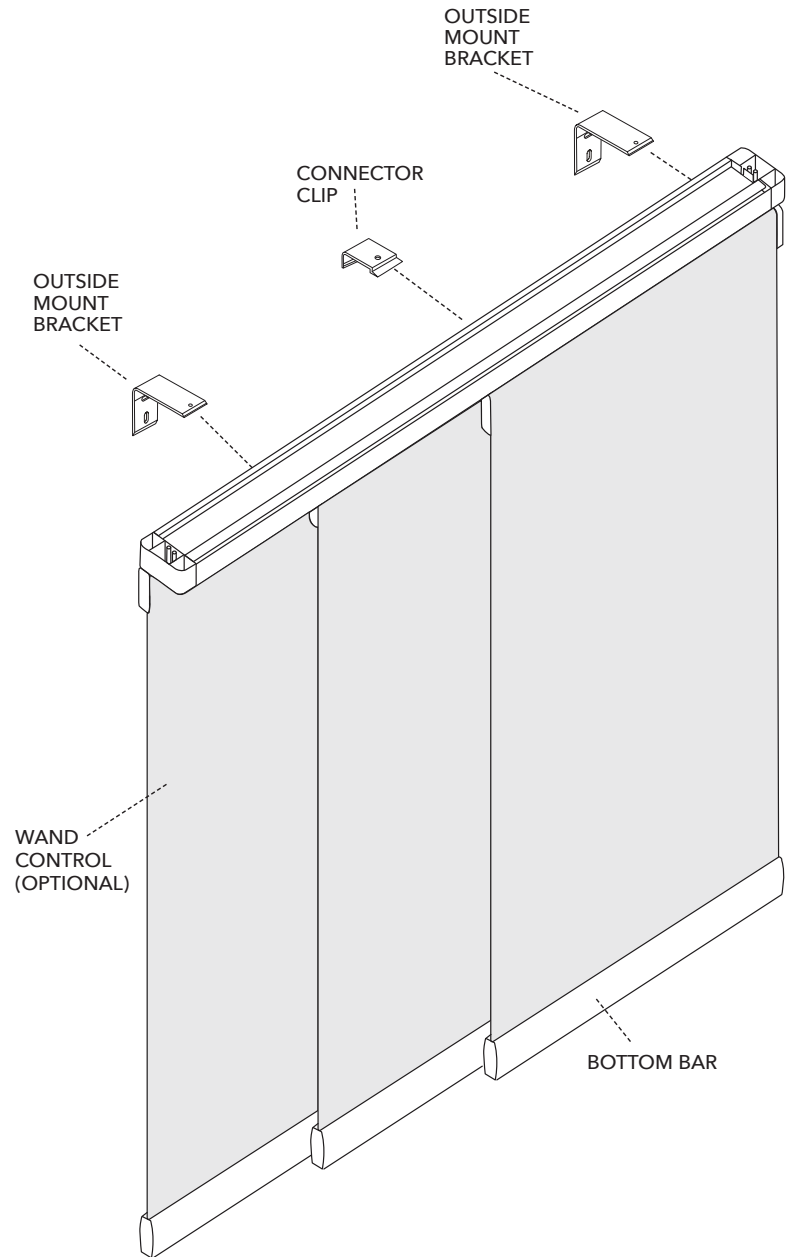
**TOOLS YOU WILL NEED TO INSTALL YOUR HARDWARE:** Pencil, screwdriver, 1/4" nut driver, level, and a drill with a 7/64" drill bit.

*Note: It's important to monitor the amount of pressure you apply when using a drill. If the screws are too tight this may cause the screw itself to break off in the wall or window frame.*

 SCREWS	 MOUNTING BRACKETS	 OUTSIDE MOUNT BRACKET
 POWER DRILL (NOT INCLUDED)	 EXTENSION BRACKET	 CONNECTOR CLIP
 LEVEL (NOT INCLUDED)	 SCREW DRIVER & PENCIL (NOT INCLUDED)	 SPACER BLOCK (OPTIONAL)

# Overview

## Panel Track Shade



## Step 2 – Bracket Installation

Shades are shipped with the required number of brackets for proper installation. End brackets should be located approx. 4" from either end. Depending on with width of the shade, additional brackets may be necessary, evenly spaced between the two end brackets. Maximum space between any set of brackets should be no more than 32".

BRACKET CHART

Shade Width	Bracket Quantity
Up to 40"	2
>40" to 100"	3
>70" to 101"	4
100" to 148"	6
148" to 208"	8
208" to 216"	10

Shades 100" + come with split tracks. Place end brackets 4" in from either end. Place a bracket 4" to each side of center. Space the remaining the remaining brackets no more than 32" apart.

Using the installation bracket as a template, measure to the edge of the bracket and mark the hole locations with a pencil for drilling.

Brackets must be in line and level. Shim brackets on inside mounts if necessary. The track must be level for the shade to operate properly.

DEPTH CHART

# of Track	Minimum Depth Needed	
	Shallow Mount	Fully Recessed
2 channel	1 ¼"	1 ⅝"
3 channel	1 ⅝"	2"
4 channel	2 ⅛"	2 ⅞"
5 channel	2 ¼"	3 ⅜"

## Step 3 – Mounting Brackets

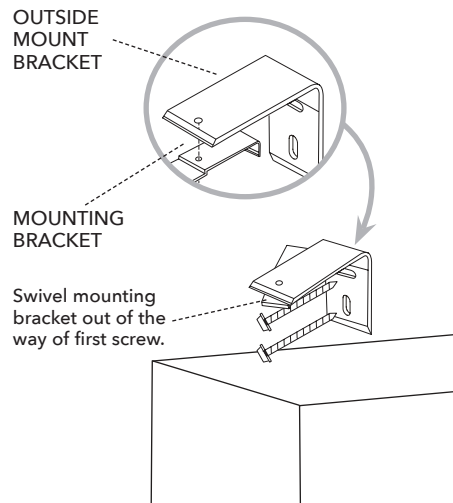
### Outside Mount

Attach the mounting bracket to the outside mount bracket with the screw provided.

Make sure that the bracket assemblies are level and aligned.

Attach using two screws. Swivel the mounting bracket out of the way to place the top screw. (see right)

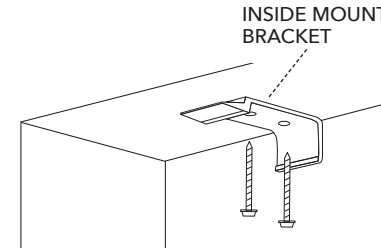
The minimum mounting height for outside mounted shades is 2 ⅛".



## Step 3 – Mounting Brackets

### Inside Mount

Make sure the brackets are level and aligned. Attach using provided screws. Smaller brackets only need 1 screw. Use 2 screws for larger brackets.



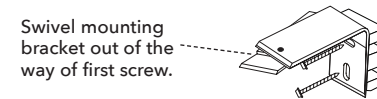
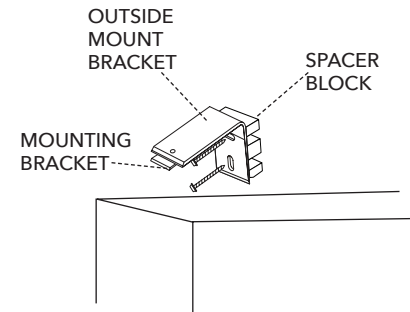
### Outside Mount with Spacer Blocks (optional)

Each spacer block projects brackets 9/16" away from mounting surface.

Attach the mounting bracket to the outside mount bracket with the screw provided.

Make sure that the bracket assemblies are level and aligned.

Attach using two screws. Swivel the mounting bracket out of the way to place the top screw. Screws should be long enough to secure the bracket to the mounting surface.



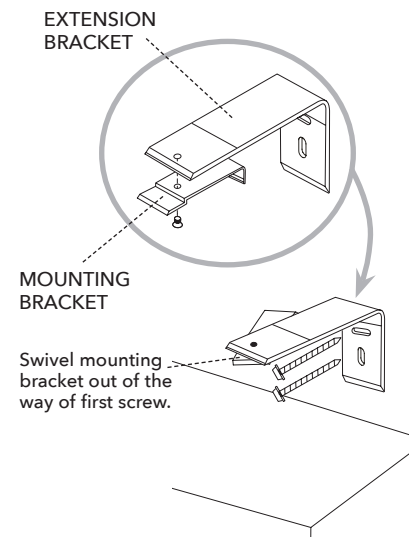
### Extension Brackets (optional)

Optional extension brackets are used to project the back of the shade from the mounting surface. The amount of projection depends on the size of the track.

Attach the mounting bracket to the extension bracket with the screw provided. Swivel the mounting bracket out of the way to place the top screw. (see right)

Attach the bracket assembly to the mounting surface with two screws.

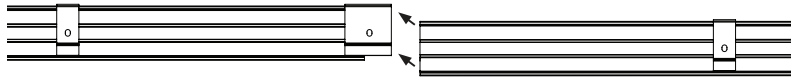
The minimum mounting surface needed for outside mounted shades is 2 ⅝".



## Step 4 – Track Installation

### Connector Clip

For shades 100" wide or over, join the two sections of rail together with the connector clip.

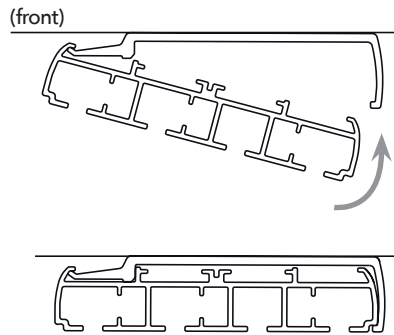


### Track installation

Hold the track up near the brackets and insert the front clip of the bracket into the front groove of the rail.

Make sure that the track is centered in the window opening.

Push the rail back and up until the track clips into place.



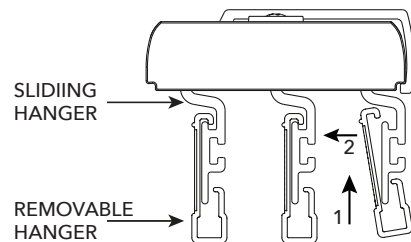
## Step 5 – Panel Installation

Use the cord or wand to spread the hangers out. It is possible for the back hanger(s) to slide out of place during installation of the track. Make sure that the back hanger (or hangers if split stack) are all the way to the outside edge. If not, move by hand until the magnet engages.

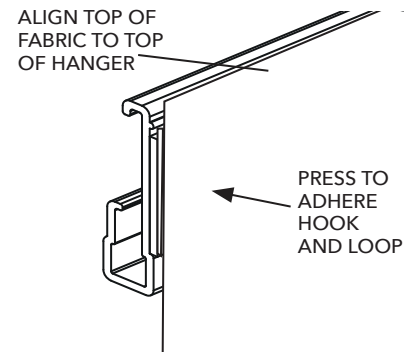
Remove the back removable hanger by pushing it up and then away from the sliding hanger.

**Note: The front hanger on a wand control is not removable.**

Leave the remaining hangers in place until after completing the steps below.



## Step 5 – Panel Installation



Place the removable hanger on a clean surface.

Align the top edge of one of the fabric panels to the top edge of the removable hanger. Making sure the ends are aligned.

Press down on the hook and loop to adhere.

Each removable hanger is labeled with a number on the back and each sliding hanger is labeled with a matching number on the front. **Start with hanger #1**

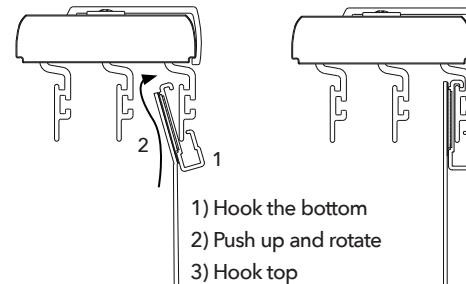
Attach the removable hanger with fabric to the sliding hanger by inserting the bottom lip of the removable hanger first, tilting the top part of the hanger away from the track.

Then gently push the removable hanger upward and tilt the top part onto the sliding hanger.

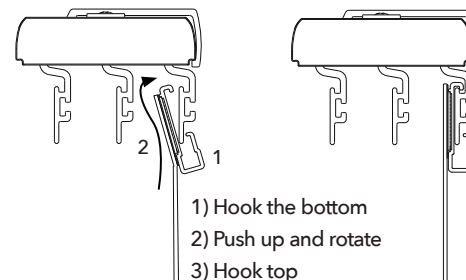
The end caps contain a spring that holds the pieces together.

Repeat for remaining hangers, working from the front to the back.

### Cord Control



### Wand Control



### Lead Panel Wand Control

Since the lead hanger on a wand control is not removable, the fabric will need to be installed in place. Align the top edge of one of the fabric panels to the top edge of the removable carrier, making sure that the ends are aligned.

Smooth the fabric out and then press down on the hook and loop to adhere.

## Step 6 – Operating the Shade

### Cord Control

Pull down on the cord to open or close the panels.

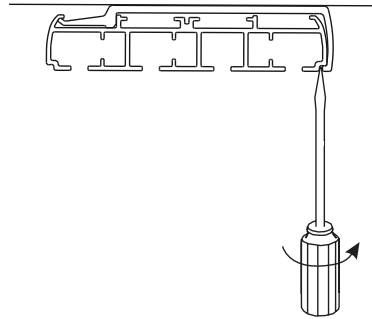
### Wand Control

Pull the wand to open or close the panels

## Step 7 – Removing the Shade

Insert a small flat head screwdriver as shown. Twist the screwdriver until the track disengages from the bracket

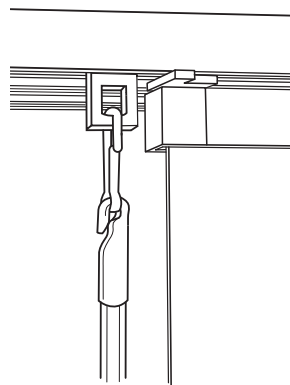
As you release the brackets, support the track to keep it from falling.



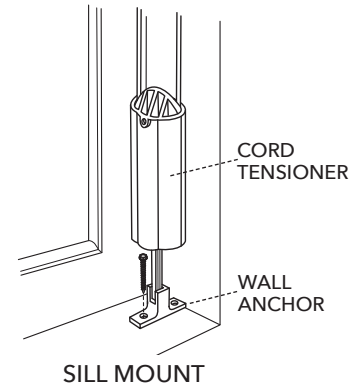
## Optional

### Attach the Wand - for Wand Control Blinds (optional)

Attach the wand to the wand clip as shown.



## Cord Tension Device



The tension device reduces the hazards of strangulation and entanglement of young children by limiting access to the control cord.

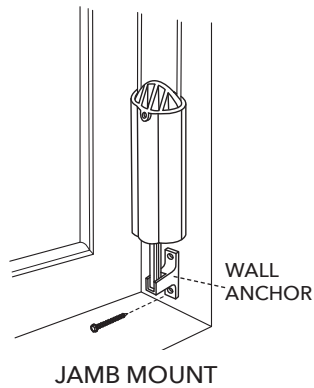
The cord tensioner must be installed to make the shade fully operable.

Read the instructions in the mounting hardware packet prior to installing the tensioner.

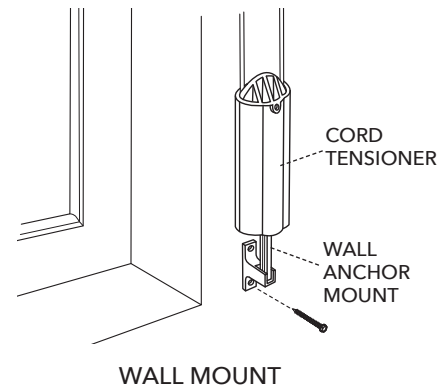
### Installing Tension Device

Choose the best mounting location for the specific installation. The tensioning device may be mounted to the sill, to the jamb or to the wall.

Fully extend tensioning device. Lock into extended position by rotating the post 45 degrees.



Hold the cord tensioner at the desired mounting position with the cord taut and the cord tensioning device in extended position. Screw the tensioning device to the mounting surface. If the specific instructions requires that the cord tensioning device be placed in a position so that there is not tension on the cord, the cord length will need to be adjusted.



# Care & Cleaning, Safety

---

## Care & Cleaning

Occasional light vacuuming with a soft bristle attachment or gentle feather dusting is all that is required to keep the panels looking fresh and neat. If you have any questions, call us at 800.248.8888.

---

## Safety First. Style Second To None™.

Great style should never come at the cost of safety. Every Smith & Noble window treatment conforms strictly to today's safety standards, including permanent tie-down devices and built-in cord stops. To protect young children and pets, there's no better way to eliminate risk than to use one of our cordless products.



## Child Safety

---

## Warranty Service

The enjoyment of your window coverings should be everlasting, which is why our products come with a limited lifetime warranty. The warranty applies to the original owner, requires a proof of purchase and covers defects in material or craftsmanship. Shades or blinds must have been properly installed. We reserve the right to determine if your window covering warrants a repair or a replacement. In need of warranty service? Call us at 800.248.8888 and we'll arrange for a repair or replacement ASAP.