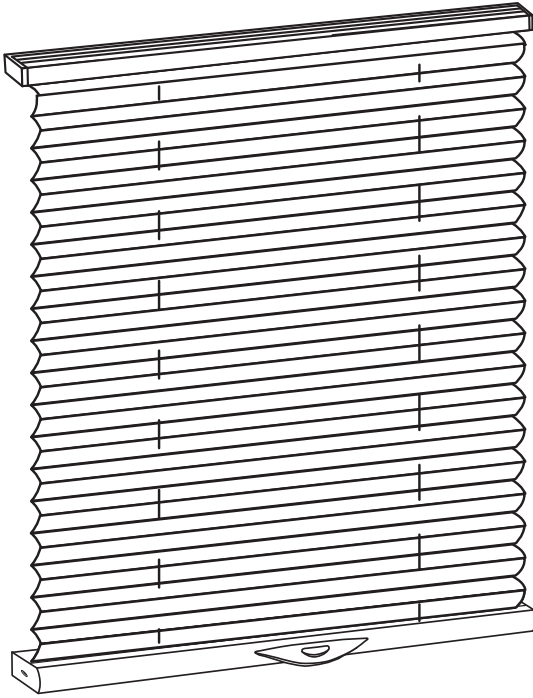


SMITH & NOBLE

STEP BY STEP INSTALLATION INSTRUCTIONS

Pleated Shades



Easy Lift Cordless

Everything You Need

A Smooth Set-Up

We want you to love your new window coverings and that includes having a smooth installation experience. If you encounter any difficulties or questions, please reach out to us for help. It's why we're here. Call us at 800.248.8888 or visit www.smithandnoble.com/knowhow for more info on installation.

We recommend you hold on to all packaging until your window coverings are fully installed. Should something go wrong (we strongly doubt it), we want any potential returns to be a painless as possible.

Customer Service Hours

Monday – Friday: 6am – 7pm PT

Saturday – Sunday: 7am – 4pm PT

smithandnoble.com



Table of Contents

<i>Step 1</i> - Getting Started	3
<i>Overview</i> - Cordless Control	4
<i>Step 2</i> - Mounting the Brackets - Inside & Outside Mount	5 - 6
Mounting Side Mount	5 - 6
Mounting Extension Brackets	6
<i>Step 3</i> - Installing the Headrail	7
<i>Step 4</i> - Operating the Shade	8
<i>Step 5</i> - Removing the Shade	9
Level the Bottom Rail	9
Troubleshooting	10
Hold Down Brackets (optional)	10
Care & Cleaning	Back Cover
Safety	Back Cover
Warranty	Back Cover

Getting Started

Easy Lift Cordless

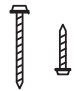
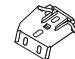
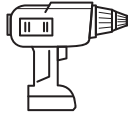
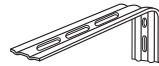



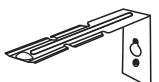
First, make sure you have all the parts and tools required to install your shades.

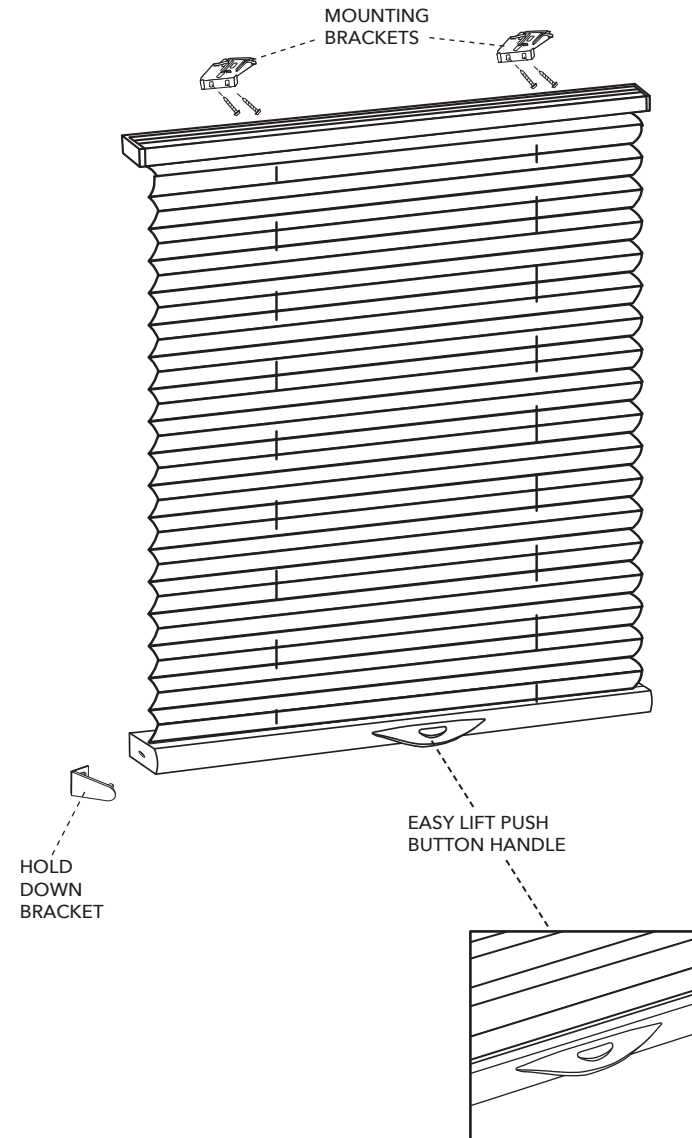
ALL THE HARDWARE YOU'LL NEED:

Pencil, screwdriver, ¼" nut driver, level, and a drill with a ¼" drill bit.

Then find wooden studs where you'll want to attach the brackets; if you need to mount your shades to wallboard or plaster, use a secure fastener designed for hollow wall applications. For metal surfaces, pre-drill holes and use the included screws. For concrete, stone, brick, or tile surfaces, use a masonry drill and appropriate plugs, anchors, or screws.

It's important when selecting a fastener to make sure it's designed to support the weight of the shade. Follow the fastener manufacturer's instruction from there on out.

 <p>SCREWS</p>	 <p>MOUNTING BRACKETS</p>
 <p>POWER DRILL (NOT INCLUDED)</p>	 <p>EXTENSION BRACKET (OPTIONAL)</p>
 <p>SCREW DRIVER & PENCIL (NOT INCLUDED)</p>	 <p>HOLD DOWN BRACKET (OPTIONAL)</p>
 <p>LEVEL (NOT INCLUDED)</p>	 <p>SIDE MOUNT BRACKET (OPTIONAL)</p>



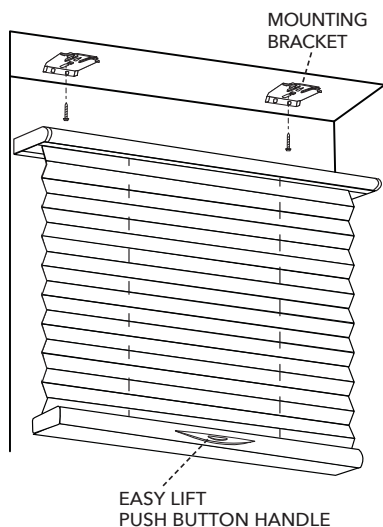
Step 2 – Mounting the Brackets

Inside Mount

Hold the shade inside the window frame so that the front edge of the shade and the front edge of the window line up. Don't forget to keep it centered (you'll want the spaces between the ends of the headrail and window edges to be equal). End brackets should be located 2½" in from each end.

Attach the two brackets flat against the top window sill frame. Use the top two bracket holes.

BRACKET QTY	SHADE WIDTH
2	up to 40"
3	40⅛–72"
4	72⅛–84"
5	84⅛



Side Mount (optional)

Line the bracket top with the desired height of the top of the headrail.

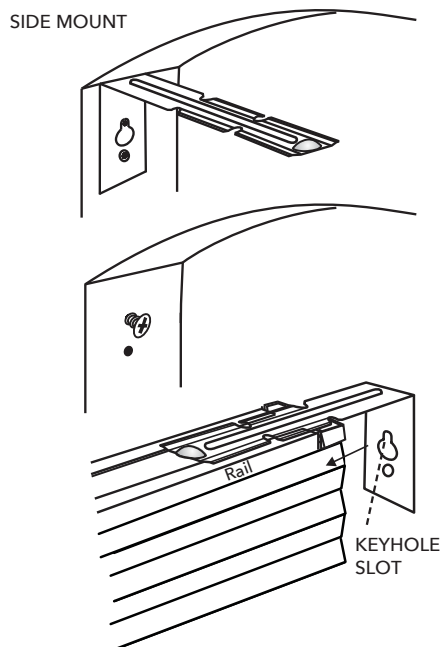
Mark holes for screws. Remove brackets and drill holes.

Insert screws for keyhole slots only. Approximately ⅛" of the screw should be left protruding.

Pull the endcap out of the headrail and slide the bracket on as shown. Replace the endcap and then slide the bracket all the way into the headrail.

Install the second bracket in the same manner as the first bracket.

Hook one bracket onto the screw in the window frame, using the keyhole slot. Bring the other end bracket over the screw at the other side of the frame. Slide down, flexing bracket inward until the screw engages in the keyhole slot.

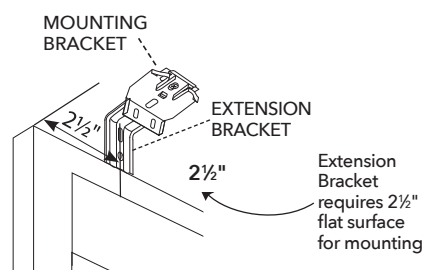
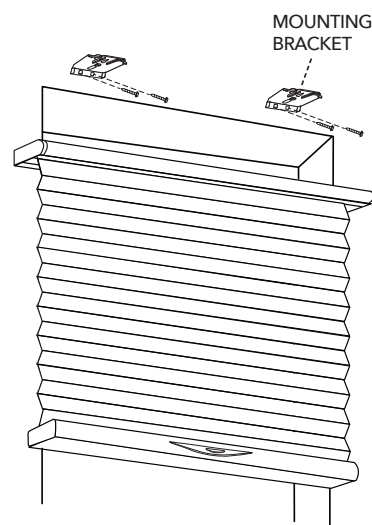


Step 2 – Mounting the Brackets

Outside Mount

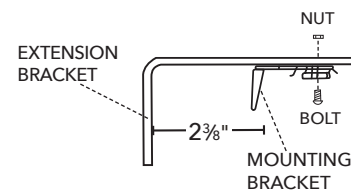
First, hold the shade above the window so that it's perfectly centered. Using a pencil, mark where the ends of the headrail hit the window frame or wall. Notes on accuracy: brackets should be evenly spaced, level with one another, and not too close to the headrail's edges and operating mechanism.

Next, mount the brackets to the window frame or wall above the window using the provided screws. Use the rear bracket holes. The bracket requires a minimum surface of ¾" high. (continue on to STEP 3 - Hanging the Shade p7)



Extension Brackets (optional)

Optional Extension Brackets are used to project the back of the shade up to 2⅜" from the mounting surface. Attach the mounting bracket to the Extension Bracket with the nut and bolt provided.



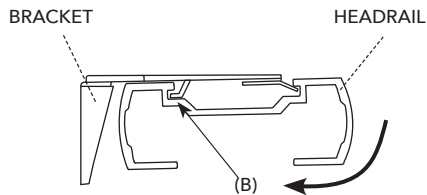
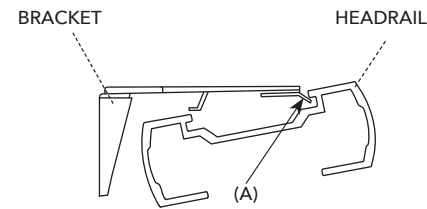
Step 3 – Installing the Headrail

Inserting the Headrail

First, lower the bottom rail about an inch. This will help keep the fabric from getting caught between the brackets and the headrail.

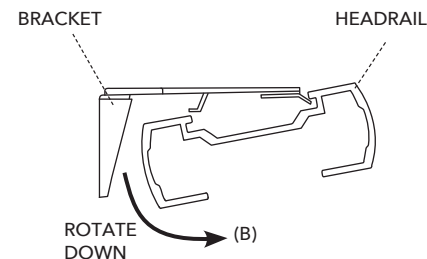
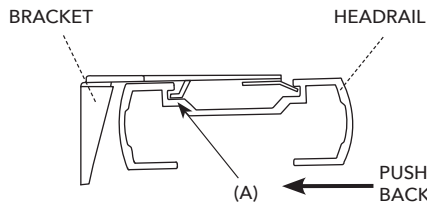
Position the headrail with the front lip (A) resting on the top hooks of all the brackets. Make sure that no fabric is pinched between the brackets and the headrail.

Push the bottom of the headrail firmly upwards and toward the window until the groove at the bottom of the headrail snaps into place, (B) as shown.



Removing the Shade

To release, push the headrail back and rotate it down. As you release the shade, support the headrail to keep it from falling.



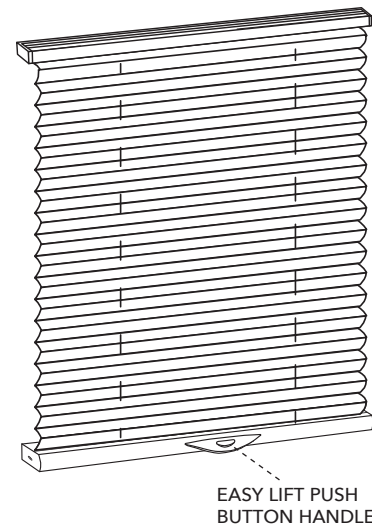
Step 4 – Operating the Shade

Cordless

Press the button on the handle to raise and lower the shade.

Continue to press on the button until the shade is in the desired position.

The shade will stay in position when the button is released.



Step 5 – Leveling the Shade

Level the Moving Rail (optional)

If the bottom rail is not level, it can be adjusted by following the procedure below.

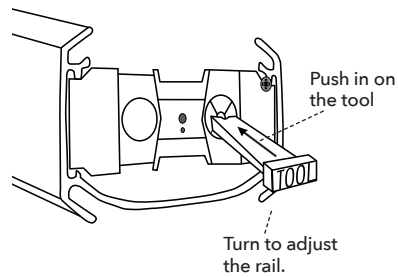
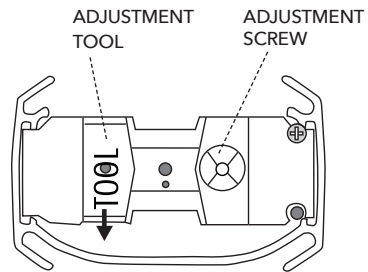
Remove the right endcap from the rail that is not level.

Pull out the section labeled TOOL.

Push in on the adjustment screw with the tool and turn to adjust the rail.

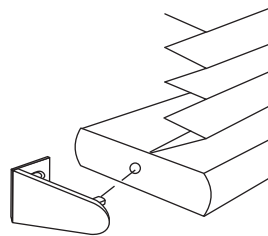
Turn clockwise to lower rail; and counter clockwise to raise it.

When the rail is level, replace the tool and the endcap.



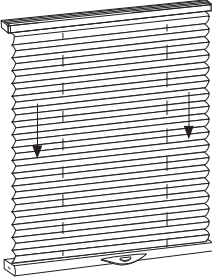
Hold Down Bracket (optional)

Optional Hold Down Brackets are mounted with the supplied screws. With the shade at its proper drop, place the pin of each Hold Down into the hole in each End Cap and make sure the pins are level and aligned. Mark the screw holes with a pencil. Raise the shade, then screw the Hold Down Bracket into the mounting surface.



Troubleshooting

Troubleshooting

Problem	Solution
<p>1. The shade will not stay down</p> <p>The fabric may want to spring up because it was fabricated primarily in the closed position.</p>	<p>With clean hands, gently pull down on a section of cells to relax the pleats. Repeat with another section of cells until the fabric is relaxed. Do not tightly stack the shade for 24 hours.</p>  <p>Gently stretch the fabric. Pull evenly on each side.</p>
<p>2. The pleats billow out when the shade is raised.</p>	<p>Pleats may settle and stretch out when left in one position for extended periods of time.</p> <p>Raise the shade very slowly to allow the retraction mechanism to pull up the stretched fabric.</p> <p>Helpful Tip: Shades that are raised regularly will be less subject to pleat settling and will remain looking fresh and new.</p>

Care & Cleaning/Safety

Care & Cleaning

Occasional light vacuuming with a soft bristle attachment or gentle feather dusting is all that is required to keep your shades looking fresh and neat.

Safety First. Style Second To None™.

Great style should never come at the cost of safety. Every Smith & Noble window treatment conforms strictly to today's safety standards, including permanent tie-down devices and built-in cord stops. To protect young children and pets, there's no better way to eliminate risk than to use one of our cordless products.



Child Safety

Warranty Service

The enjoyment of your window coverings should be everlasting, which is why our products come with a limited lifetime warranty. The warranty applies to the original owner, requires a proof of purchase (hang on to your receipt!) and covers defects in material or craftsmanship. Shades or blinds must have been properly installed. We reserve the right to determine if your window covering warrants a repair or a replacement. Visit smithandnoble.com/guarantee to see full details. In need of warranty service? Call us at 800.248.8888 and we'll arrange for a repair or replacement ASAP.
