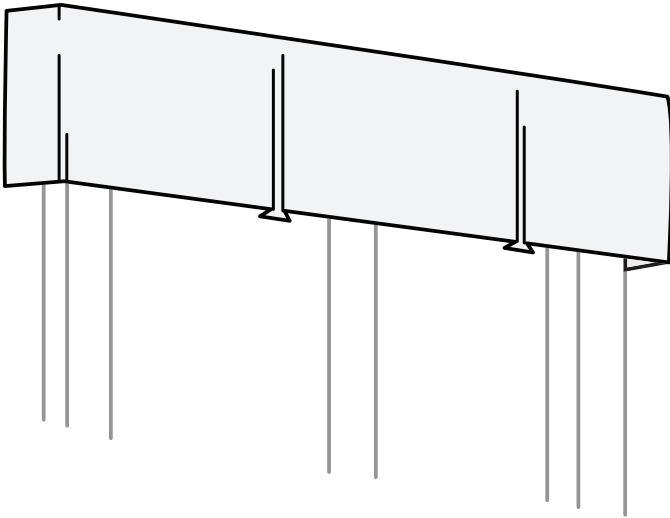


SMITH & NOBLE

Step by Step Installation Instructions

Rod Mounted Valance



Wall Mount

Everything You Need

A Smooth Set-Up

We want you to love your new Valance and that includes having a smooth installation experience. If you encounter any difficulties or questions, please reach out to us for help. It's why we're here. Call us at 800.248.8888 or visit www.smithandnoble.com/knowhow for more info on installation.

We recommend you hold on to all packaging until your hardware is fully installed. Should something go wrong (we strongly doubt it), we want any potential returns to be a painless as possible.

Customer Service Hours

Monday – Friday: 6am – 7pm PT

Saturday – Sunday: 7am – 4pm PT

smithandnoble.com



Table of Contents

<i>Step 1</i> -	Getting Started (Parts & Tools)	3
<i>Overview</i> -	4
<i>Step 2</i> -	Attaching the Brackets	5
<i>Step 3</i> -	Attaching the Valance to the Rod	5
<i>Step 4</i> -	Mounting the Rod and Valance	6
<i>Optional</i> -	Care & Cleaning	6
	Warranty.....	Back Cover

Getting Started

Before you begin, check the accompanying diagram to make sure you have all the parts you need. You'll need to make sure the surface you intend to install your hardware is sturdy enough to accommodate the brackets. If you're screwing directly into a surface this means locating wood studs that are strong enough to securely bond with the included screws. Otherwise, you'll need to use a secure fastener (as illustrated) but please note this piece is not included.



WALLBOARD OR PLASTER: Hollow wall applications: Use a secure fastener designed specifically for this purpose.

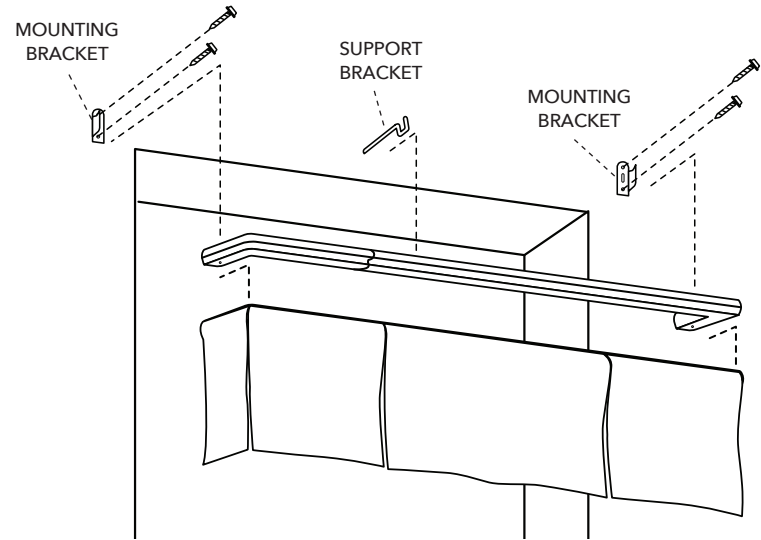
METAL: Prepare by pre-drilling holes and then using the included screws.


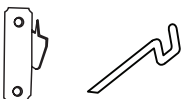
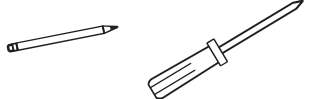
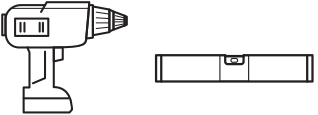
CONCRETE, STONE, BRICK OR TILE: Use a masonry drill and surface-specific plugs, anchors, or screws. When selecting a fastener be sure it's designed to support the weight of the product being installed (if you're not sure, either give us a call or ask a professional at your local hardware store). Once obtained, follow the fastener manufacturer's instructions regarding proper installation.

TOOLS YOU WILL NEED TO INSTALL YOUR HARDWARE: Pencil, screwdriver, 1/4" nut driver, level, and a drill with a 7/64" drill bit.

Note: It's important to monitor the amount of pressure you apply when using a drill. If the screws are too tight this may cause the screw itself to break off in the wall or window frame.

Standard Valance

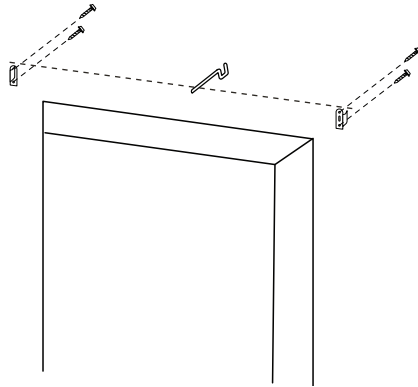


 <p>SCREWS</p>	 <p>MOUNTING & SUPPORT BRACKETS</p>
 <p>PENCIL & SCREWDRIVER (NOT INCLUDED)</p>	 <p>POWER DRILL & LEVEL (NOT INCLUDED)</p>

Step 2 – Attaching Your Brackets

Attaching the Brackets

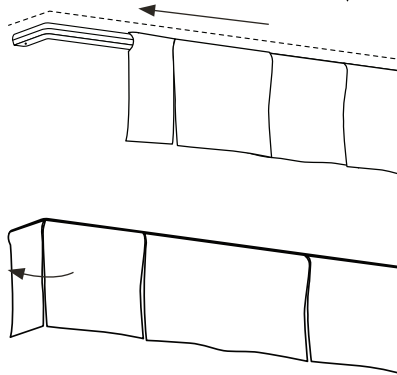
Note the ordered width of your valance. Extend a tape measure out to this dimension. Center over the window, and place a mark at zero and the width dimension. Place the outside edge of each mounting bracket at the desired height and on these marks. Attach with the screws provided. Center support is included with wider valances only.



Step 3 – Attaching the Valance to the Rod

Attaching the Valance to the Rod

Start at one end of the rod. Insert the rod into the pocket in the top of the valance. Slide the valance completely onto the rod.

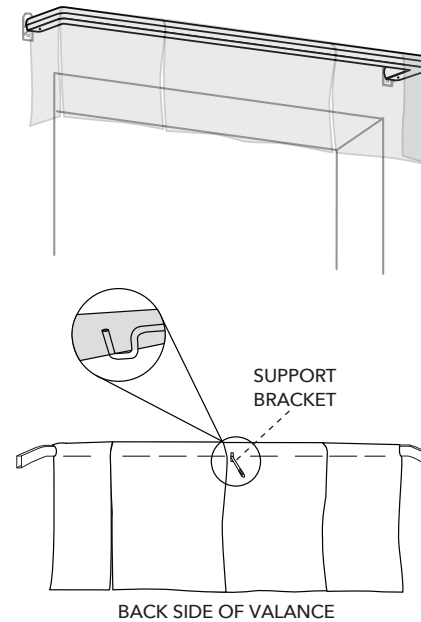


Step 4 – Mounting the Rod and Valance

Mounting the Rod and Valance

Engage the holes in the top of the rod onto the post on the brackets. Lower the rod down onto the brackets to lock into place.

For valances with a center support bracket feed bracket through pre-slit button hole to cradle the rod.



Care & Cleaning

Care & Cleaning

Minimal care and cleaning is needed to maintain the beauty of your valance. Occasional light vacuuming with a soft bristle attachment or gentle feather dusting is all that is required to keep your valance looking fresh and neat.

Warranty Service

The enjoyment of your valance should be everlasting, which is why our products come with a limited lifetime warranty. The warranty applies to the original owner, requires a proof of purchase (hang on to your receipt!) and covers defects in material or craftsmanship. Hardware must have been properly installed. We reserve the right to determine if your hardware warrants a repair or a replacement. Visit smithandnoble.com/guarantee to see full details. In need of warranty service? Call us at **800.248.8888** and we'll arrange for a repair or replacement ASAP.
