

smith+noble®

Step by Step Installation Instructions

Tranquility Roller Shade System



Customer Service 800.248.8888 or visit us online at smithandnoble.com

THANK YOU for purchasing from Smith+Noble. Your new shade has been custom crafted from the highest quality materials. Once installed, your shade will provide you with a lifetime of beauty and trouble-free use.

INSTALLING your new shades is easy. Simply follow our step-by-step instructions. We recommend that you read through all the instructions before you start. If you have questions, our customer service representatives are available at 800.248.8888.

Do not dispose of the packaging until the shade is operating to your satisfaction.

CONTENTS

Getting Started	3
Tranquility Roller Shade	4
Mounting the Bracket	5
Hanging the Shade	5
Position Tensioner	6
Mounting the Sidetracks	6 - 7
Installing Tension Device	8
Filling Light Gaps	8
Troubleshooting	9
Care and Cleaning	10
Warranty	Back Cover

For assistance, call smith+noble
Customer Service at
800.248.8888
Visit our website at
smithandnoble.com

GETTING STARTED

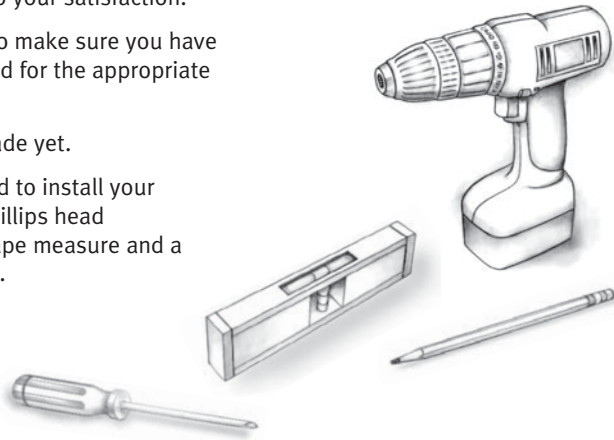
Remove shade from the packaging.

Do not dispose of packaging until the shade is operating to your satisfaction.

Check the diagram to make sure you have all the parts indicated for the appropriate type of installation.

Do not lower the shade yet.

TOOLS you may need to install your hardware: pencil, phillips head screwdriver, level, tape measure and a drill with $\frac{1}{8}$ " drill bit.



Your brackets must be securely attached to the mounting surface. When screwing into a surface, the included screws must hit wood studs. Otherwise, use a secure fastener as illustrated (not included).



MOLLY BOLT



SCREWS (INCLUDED)



SELF DRILLING ANCHOR



TOGGLE BOLT

WALLBOARD OR PLASTER:

Use a secure fastener designed for hollow wall applications.

METAL:

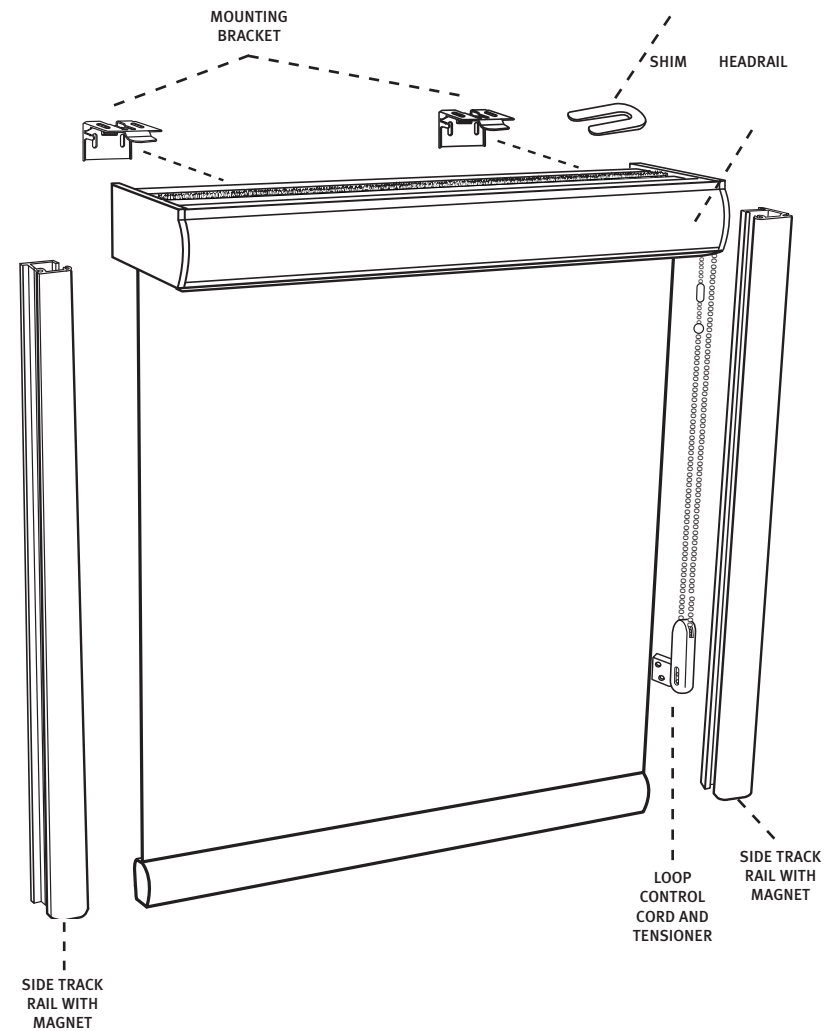
Pre-drill holes and use sheet metal screws.

CONCRETE, STONE, BRICK OR TILE:

Use a masonry drill and appropriate plugs, anchors or screws.

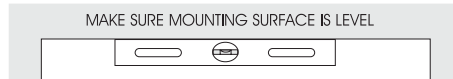
*When selecting a fastener, make sure it is designed to support the weight of the product being installed. Follow the fastener manufacturer's instructions for proper installation of the fastener.

TRANQUILITY ROLLER SHADE



MOUNTING THE BRACKET

The end brackets should be located with centerlines 2" in from each end. Depending on the width of the shading, necessary additional brackets may be evenly spaced between the two end brackets.

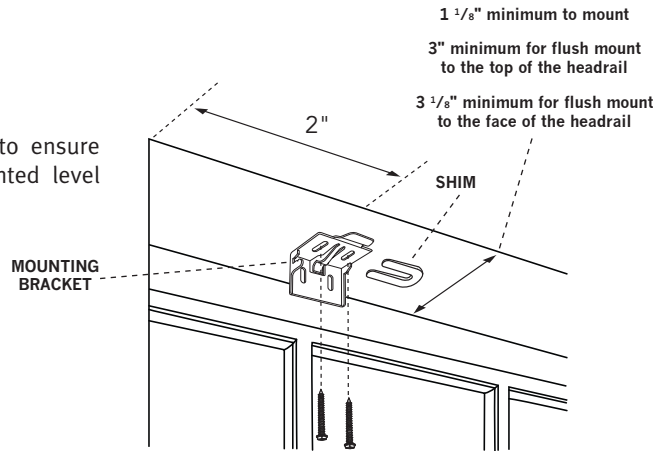


If the headrail does not sit level, the fabric will not roll up evenly which could damage the edge of the fabric. Use shims if necessary to level brackets.

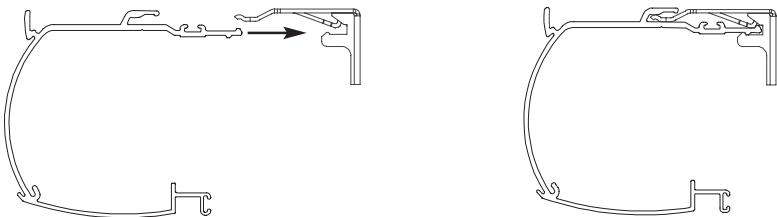
BRACKET CHART

SHADE WIDTH	# OF BRACKETS
Up to 40"	2
40" to 75"	3

Use shims if necessary to ensure that the headrail is mounted level (included).



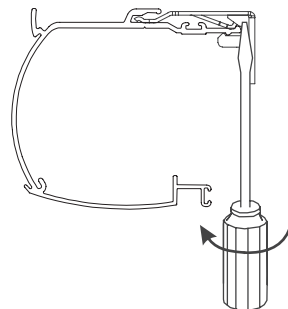
HANGING THE SHADE



Push the rail back until it is fully engaged.

UN-INSTALL HEADRAIL

To remove the shading, partially lower the shading and insert a flat head screwdriver as shown. Twist the screwdriver until the headrail disengages from the bracket.

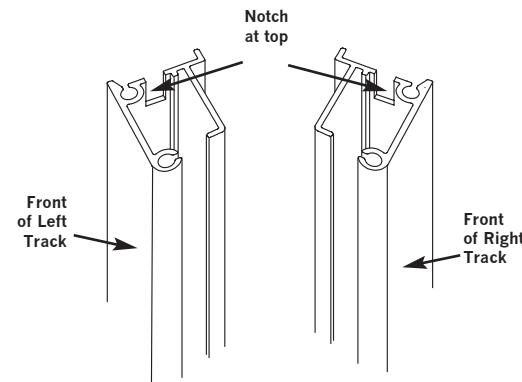


POSITION TENSIONER

Your window shade has arrived with the cord tensioner positioned near the headrail to comply with current child safety standards. The cord tensioner must be mounted and secured before the window shade will operate correctly. To position the tensioner, grasp the screw hole and pull down to release the lock. Pull the cord through the tensioner until the tensioner is at the bottom of the cord loop. This should allow enough movement of the cord for shade installation. The tensioner will be mounted in a later step.



MOUNTING THE SIDETRACKS



NOTE: Do not remove release liner from the magnets yet.

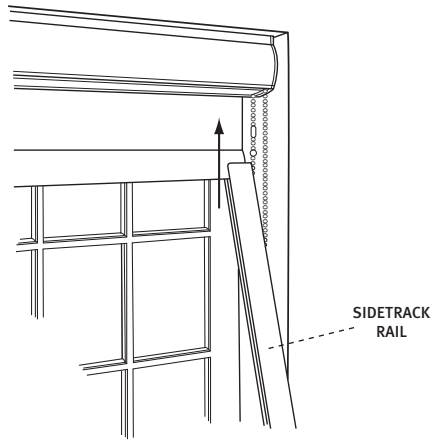
Lower the shade a few inches to make track installation easier.

Locate the top end of the right track.

MOUNTING THE SIDETRACKS

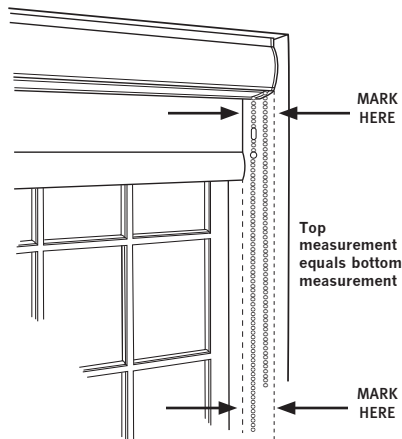
Slide the fabric lip into the track.
Slide the track up so that the top of the track goes into the slot on the headrail.

The inner black track should be even with the bottom of the outer track.



While holding the track in place, measure the distance from the front of the track to the edge of the window frame at the top.

Mark the bottom of window at the same point as the top measurement.



Repeat for the other side.

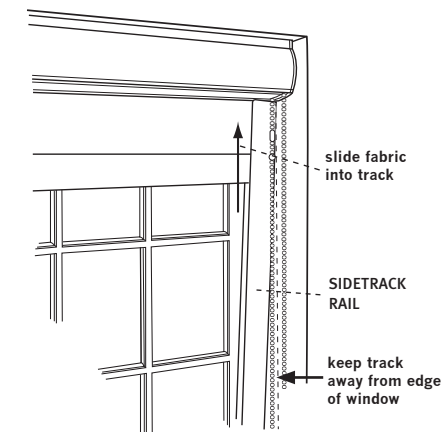
Raise the shade.

Peel the release liner off the track. Make sure that you have the track in the correct orientation.

Slide the fabric into the track but keep the track away from the edge of the window so that the exposed adhesive does not touch the wall.

Starting at the top, push the track in keeping front edge lined up with the marks. Press to adhere.

The tracks are held in place with a magnet and can be removed for cleaning or re-tracking of the fabric.



INSTALLING TENSION DEVICE

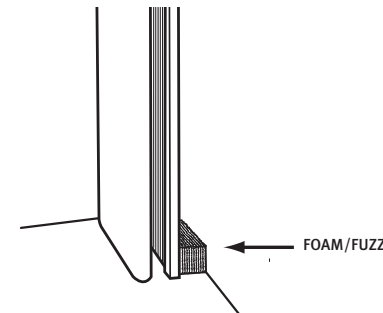


The tension device reduces the hazards of strangulation and entanglement of young children and pets by limiting access to the control rod.

NOTE: The cord tensioner must be installed to make the shade fully operable.

PLEASE READ THE INSTRUCTIONS INCLUDED IN THE MOUNTING HARDWARE PACKET PRIOR TO INSTALLATION.

FILLING LIGHT GAPS



The Tranquility shade system is designed to block light gaps with the blackout tracks. However, not all windows are perfectly square and light gaps may still exist. To block these light gaps, use the foam/and or fuzz bar that is provided.

We recommend placing foam on the sill directly behind the side tracks.

Use the rest of the foam/fuzz as needed to block light.

Fabric comes out of the track

If the fabric comes out of the track, simply raise and then lower the shade. The fabric should re-track. If it doesn't re-track, remove the track, feed the fabric back into the track and put the track back in place.

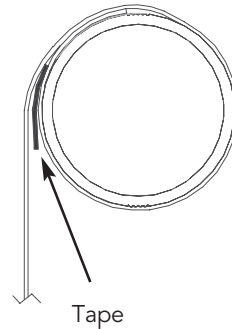
Shade binds or does not raise evenly

- 1) Make sure the mounting brackets are mounted level with each other.
- 2) Remove the tracks. Operate the shade to see if the fabric skews to one side.

If the head rail is level and the fabric is still skewing, lower the shade all of the way down. Prepare a stripe of masking tape approximately 5" long. On the side of the shade opposite of the skewing direction, and as close to the end of the roller as possible, lift the fabric toward the back of the shade using your fingers and slide the tape with the sticky side facing the roller up as far as possible. The tape is to be running parallel to the roller.

Roll the shade up and check for skewing. If the shade is still skewing, add another strip of tape on top of the first one. If the shade is now skewing to the opposite direction, tear off about 1" of tape from the last strip installed. The tape is to be torn from the end closest to the center of the shade.

Re-install the tracks.



Occasional light vacuuming with a soft bristle attachment or gentle feather dusting is all that is required to keep your Roller Shades looking fresh and neat.

If the shade has any wrinkling, lower the shade and leave in the lowered position for 5 to 7 days. The heat from the sun will smooth out any light wrinkles.

Warranty

All Smith+Noble shades are designed for a lifetime of trouble-free use and is covered by a limited lifetime warranty. This warranty applies to the original customer/installation with proof of purchase and covers any defects in materials or workmanship provided that the product is measured and installed according to the product instructions.

In the unlikely event that warranty service is ever needed, simply call Customer Service at **800.248.8888**. Our customer service representatives will arrange for a repair as quickly as possible.