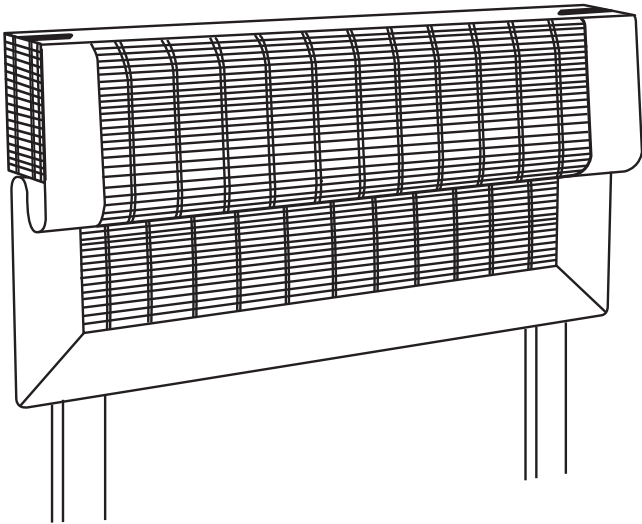


SMITH & NOBLE

STEP BY STEP INSTALLATION INSTRUCTIONS

Natural Woven Shades



Waterfall Valance

Everything You Need

A Smooth Set-Up

We want you to love your new window coverings and that includes having a smooth installation experience. If you encounter any difficulties or questions, please reach out to us for help. It's why we're here. Call us at 800.248.8888 or visit www.smithandnoble.com/knowhow for more info on installation.

We recommend you hold on to all packaging until your window coverings are fully installed. Should something go wrong (we strongly doubt it), we want any potential returns to be a painless as possible.

Customer Service Hours

Monday – Friday: 6am – 7pm PT

Saturday – Sunday: 7am – 4pm PT

smithandnoble.com



Table of Contents

<i>Step 1</i> -	Getting Started	3
<i>Overview</i> -	Natural Woven Waterfall Valance.	4
<i>Step 2</i> -	Mounting the Brackets.	5
<i>Step 3</i> -	Attaching Side Returns	6
<i>Step 4</i> -	Slim Headrail Mounting.	6
Care & Cleaning	Back Cover
Safety	Back Cover
Warranty	Back Cover

Getting Started

Before you begin, check the accompanying diagram to make sure you have all the parts you need. You'll need to make sure the surface you intend to install your shades is sturdy enough to accommodate the brackets. If you're screwing directly into a surface this means locating wood studs that are strong enough to securely bond with the included screws. Otherwise, you'll need to use a secure fastener (as illustrated) but please note this piece is not included.






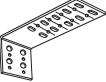

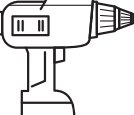
WALLBOARD OR PLASTER: Hollow wall applications: Use a secure fastener designed specifically for this purpose.

METAL: Prepare by pre-drilling holes and then using the included screws.

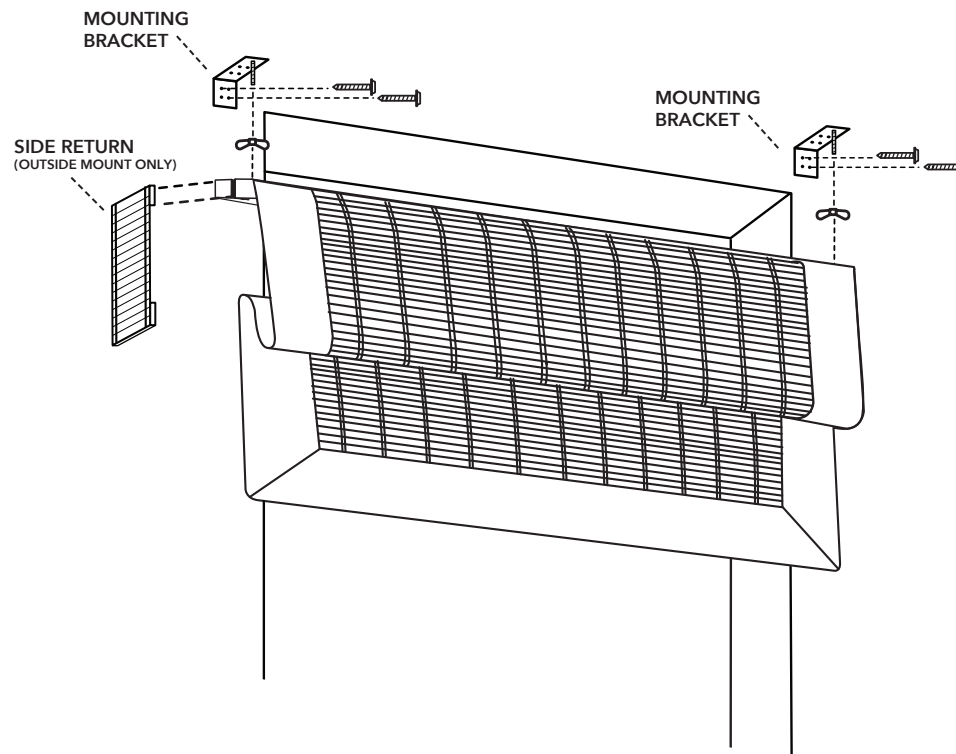
CONCRETE, STONE, BRICK OR TILE: Use a masonry drill and surface-specific plugs, anchors, or screws. When selecting a fastener be sure it's designed to support the weight of the product being installed (if you're not sure, either give us a call or ask a professional at your local hardware store). Once obtained, follow the fastener manufacturer's instructions regarding proper installation.

TOOLS YOU WILL NEED TO INSTALL YOUR HARDWARE: Pencil, screwdriver, 1/4" nut driver, level, and a drill with a 1/8" drill bit.

Note: It's important to monitor the amount of pressure you apply when using a drill. If the screws are too tight this may cause the screw itself to break off in the wall or window frame.

 <p>SCREWS</p>	 <p>OUTSIDE MOUNT BRACKETS INSIDE MOUNT BRACKETS</p>
 <p>LEVEL (NOT INCLUDED)</p>	 <p>EXTENSION BRACKET (OPTIONAL)</p>
 <p>PENCIL & SCREWDRIVER (NOT INCLUDED)</p>	 <p>POWER DRILL (NOT INCLUDED)</p>

Natural Woven Waterfall Valance



BRACKET QTY	VALANCE WIDTH
2	up to 36"
3	36 1/8"–72"
4	72 1/8"–96"

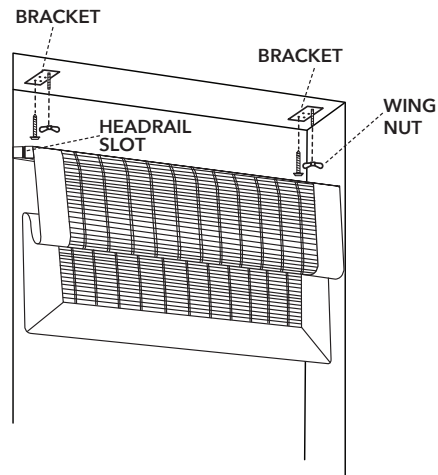
Step 2 – Mounting Brackets

Inside Mount

For an inside mount, hold the valance inside the window frame. Center the valance so the space between the end of the headrail and edges of the window frame are equal. Mark the mounting slots with a pencil.

The brackets are mounted with two screws flat against the top sill surface. Be sure there is enough window depth to mount the valance inside the window frame. If there is not enough depth, you will need to outside mount the valance.

With the brackets installed and level with one another, remove the wing nuts from the bolts and place the valance onto the brackets. With the bolts coming through the mounting slots on each end of the headrail, reinstall the wing nuts onto the bolts and hand tighten.

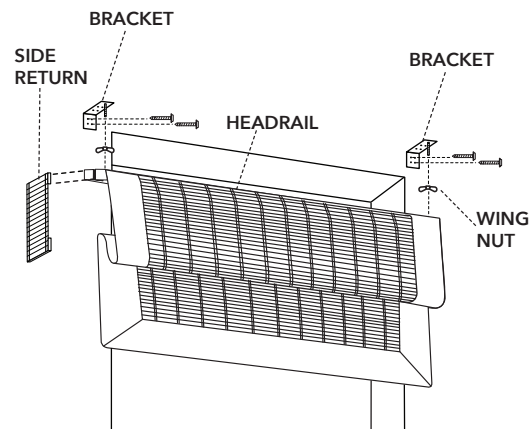


Outside Mount

Center the valance over the window opening at the desired height. Mark the position of the ends of the headrail on the wall with a pencil.

Measure 1/2" in from the marks on each side and mark with a pencil. Place the outside edge of each bracket on these marks and attach with the screws provided using 2 screws per bracket.

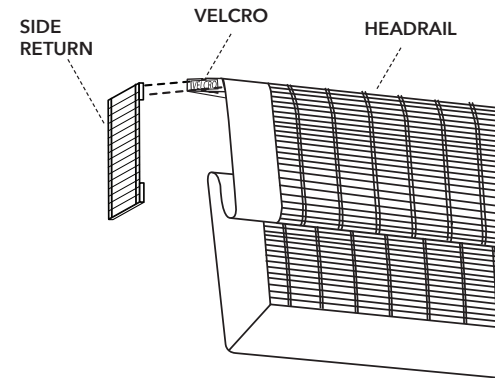
With the brackets installed and level with one another, remove the wing nuts from the bolts and place the valance onto the brackets. With the bolts coming through the mounting slots on each end of the headrail, reinstall the wing nuts onto the bolts and hand tighten.



Step 3 – Attaching Side Returns

Attaching Side Returns (outside mount only)

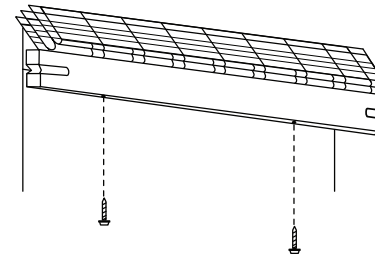
Outside mounted valances will come with side returns to cover the exposed ends of the headrail. Using the velcro provided, attach the side returns directly to the ends of the headrail.



Step 4 – Slim Headrail Mounting

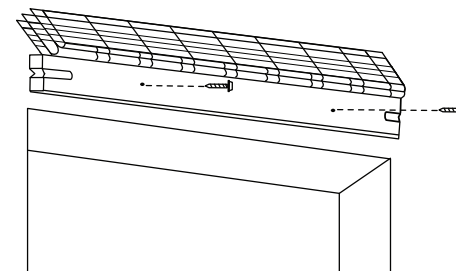
Inside Mount

Hold the valance inside the window frame. Center the valance so the space between the ends of the headrail and the edges of the window frame are equal. Locate the pre-drilled holes in the underside of the headrail. Use the long screws to mount the valance to the top of the window frame. Be sure to move the valance material out of the way during installation so it does not get caught or damaged.



Outside Mount

Hold the valance at the desired mounting location. Center the valance so the space between the ends of the headrail and the edges of the window frame are equal. Locate the pre-drilled holes in the front of the headrail. Use the long screws to mount the valance to the top of the window frame. Be sure to move the valance material out of the way during installation so it does not get caught or damaged.



Care & Cleaning

Occasional light vacuuming with a brush or dust attachment or gentle feather dusting is all that is required to keep your shades looking fresh and neat.

Safety First. Style Second To None™

Great style should never come at the cost of safety. Every Smith & Noble window treatment conforms strictly to today's safety standards, including permanent tie-down devices and built-in cord stops. To protect young children and pets, there's no better way to eliminate risk than to use one of our cordless products.



Child Safety

Warranty Service

The enjoyment of your Valance should be everlasting, which is why our products come with a limited lifetime warranty. The warranty applies to the original owner, requires a proof of purchase (hang on to your receipt!) and covers defects in material or craftsmanship. Hardware must have been properly installed. We reserve the right to determine if your hardware warrants a repair or a replacement. Visit smithandnoble.com/guarantee to see full details. In need of warranty service? Call us at 800.248.8888 and we'll arrange for a repair or replacement ASAP.
